

# METAL LEAFLET CLIP-IN

---

**F-CLIP ACCESS SYSTEM** 02

---

**Q-CLIP SYSTEM** 09

---

**R-CLIP SYSTEM** 16

---

**S-CLIP F SYSTEM** 23

---

**T-CLIP F SYSTEM** 30

---

**Metal**  
product



## **F-CLIP ACCESS SYSTEM**

### Corridor ceilings

Inspiring Great Spaces™

**Armstrong®**

# F-CLIP ACCESS SYSTEM CORRIDOR CEILINGS



### BENEFITS

- Free-span solution
- Rectangular panel, adapted to corridor or circulation area width
- Various perimeter trim solutions for a clean aesthetic finish
- Meets visual and individual project requirements

### APPLICATION AREA

- Easy, quick access to ceiling void due to the swing-down Access function
- Downwardly demountable with the use of an extraction tool for access to the ceiling void
- Corridors where the panels simply span between walls.

PROJECT: Laboratorios EPAL (SP) ..... ARCHITECT: Gonalo Byrne, Arquitectos Lda

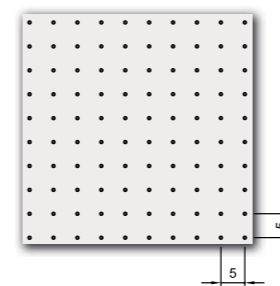
### SPECIFICATION

System	Armstrong ceiling system F-Clip Access, Clip-In solution with concealed grid, suspension height min. 90mm Up to 90 mm shadow gap between wall and panel
Panel material	galvanised steel sheet panel width up to 400 mm 0.6 mm panel width from 401 mm 0.7 mm (aluminium or further materials on request)
Coating	RAL 9010 pure white post-coated powder painted visible surface, other RAL or NCS colours on request
Execution*	rectangular panel square edged long sides CA / DA (40 mm) short sides E6 / F6 (38 mm)
Gap solution	0 mm gap on long side, without gasket
Acoustic inlay	Black non-woven acoustic fleece as standard. Other options available on request.
Configurable dimensions	panel length (A) 600 - 2500 mm panel width (B) 275 - 600 mm
Grid system	half clamping rail DP12 fixed by wall bracket to the wall
Service integration	standard round or rectangular cut-outs plus customised options on request

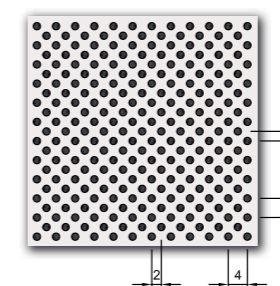
\* For further information about the edge detail execution of metal tiles, please see the Metal Edge Detail Execution datasheet



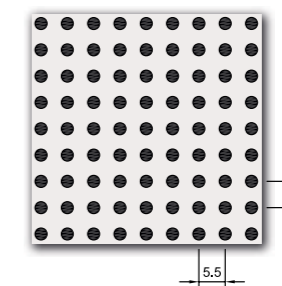
### STANDARD PERFORATION PATTERNS



**Extra Microperforation Rg 0701**  
Hole diameter: 0.7 mm  
Open area: 1.5 %



**Microperforation Rd 1522**  
Hole diameter: 1.5 mm  
Open area: 22%



**Standard Perforation Rg 2516**  
Hole diameter: 2.5 mm  
Open area: 16%

Other perforation patterns available on request.

**ACOUSTIC PERFORMANCE**

Metal ceiling systems have been tested for their acoustic performance in terms of sound absorption, sound attenuation and sound reduction. These performance values will depend upon the perforation and the acoustic infill. Please contact us for more information on the available factory fitted acoustic options.

**THERMAL CONDUCTIVITY**

(λ) W/mK  
50.0 : Steel  
0.04 : Acoustic fleece

**HUMIDITY EXPOSURE**

Up to 95% RH (for short term exposure).

**SERVICES INTEGRATION**

Metal panels can be supplied with factory produced cut outs and apertures for the integration of building services equipment.

**CLEANING**

Dust should be removed from the painted surface by wiping with a clean soft cloth. More stubborn marks should be removed with a mild household detergent in warm water. Excessive use of water should be avoided. The use of abrasive cleaners of the painted surface is not recommended.

**COLOUR**

**Standard colours**

RAL 9010 20% gloss  
Global White 12% gloss  
RAL 9006 30% gloss  
RAL 9007 30% gloss



**Special colours**

Other RAL and NCS colours available on request

**QUALITY STANDARD**

Armstrong is a certified **EN ISO 9001:2008** Quality Assumed Manufacturer. All Armstrong ceiling and grid systems are manufactured to the relevant tolerances and quality standards appropriate to material. Where differences exist between this and any expressed or implied architectural specifications or requirements then Armstrong's manufacturing standards will prevail unless stated otherwise.

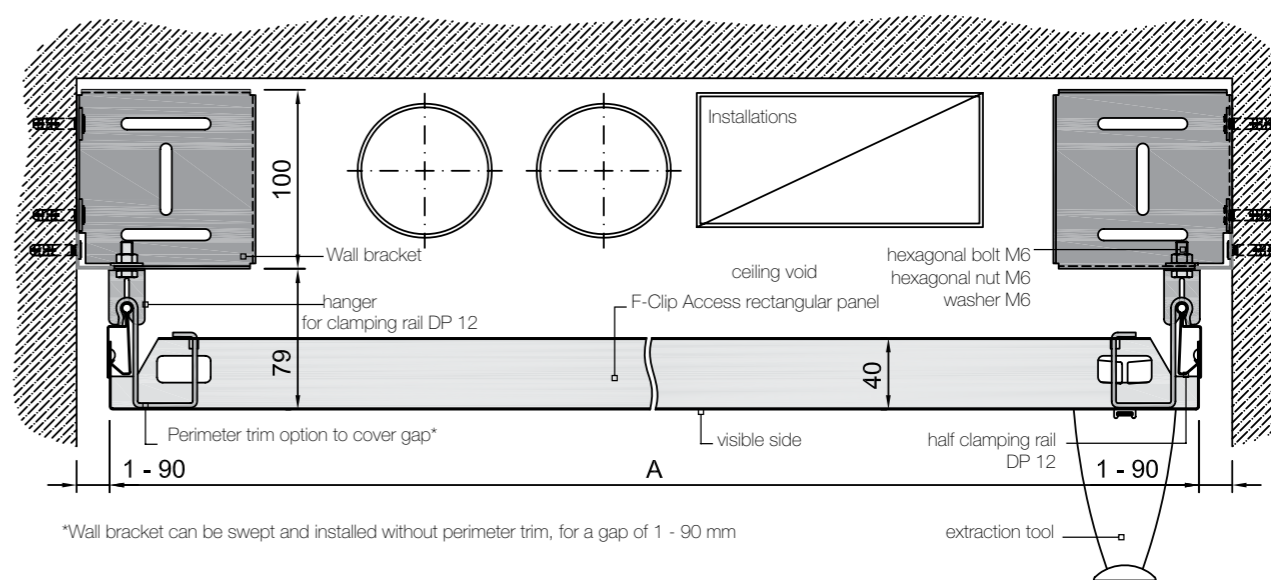
**ENVIRONMENTAL**

Our metal panels have an average of up to 30% recycling content. Our European manufacturing plants are certified to: **ISO 14001:2004 + Cor. 1:2009**  
Armstrong is a member of TAIM (Technical Association of Industrial Metal Ceilings).

Sustainability		Acoustics						Safe & Healthy				
Recycled content (%)	Light reflectance (%)	α <sub>w</sub> up to	Sound absorption class	NRC up to	Dncw / Dnfw (dB) up to	Rw (dB) up to	Fire reaction	Humidity Resistance (%) up to	Cleanability	Bioguard paint option	Scratch resistance	
Extra Microperforation Rg 0701 (2)	up to 30	80	0.55(L)	D	0.65	21	10	A2-s2, d0	95	wipeable moist cloth (3)	✓	✓
Microperforation Rd 1522 (2)	up to 30	65	0.70	C	0.70	16	6	A2-s2, d0	95	wipeable moist cloth (3)		✓
Standard Perforation Rg 2516 (2)	up to 30	70	0.75(L)	C	0.80	18	8	A2-s2, d0	95	wipeable moist cloth (3)		✓
Plain / Unperforated (1)	up to 30	85	0.10(L)	Not Classified	0.10	44	19	A1	95	scrubbable	✓	✓
Premium OP19	up to 30	depends on perforation	1.00	A	0.90	31	15	A2-s2, d0	95	wipeable moist cloth		✓

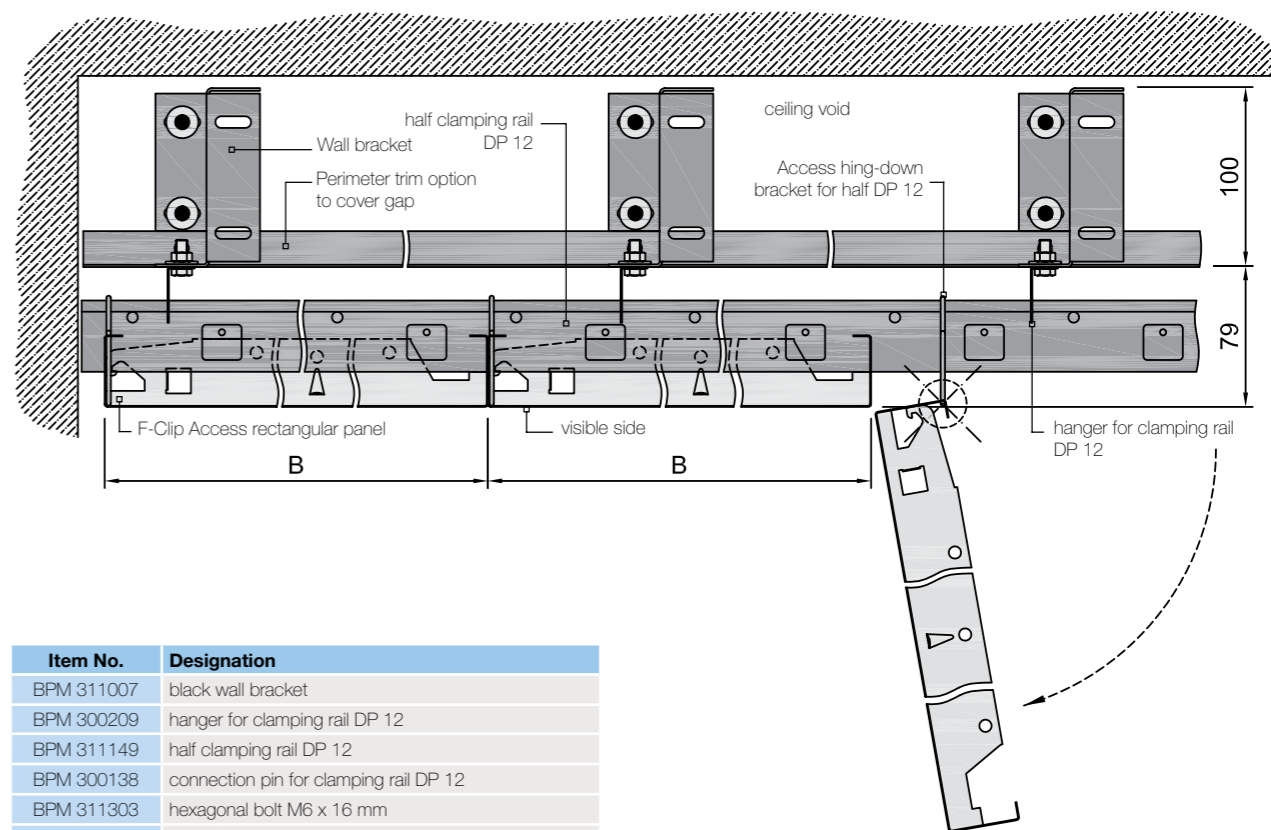
(1) RAL 9010 colour, without acoustic infill. (2) RAL 9010 colour, with black acoustic fleece glued on rear. (3) Wipeable moist cloth for perforated tiles with fleece. Scrubbable for plain tiles or perforated tiles without fleece.

**CROSS-SECTION**



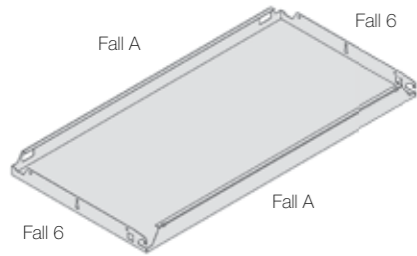
\*Wall bracket can be swept and installed without perimeter trim, for a gap of 1 - 90 mm

**LONGITUDINAL-SECTION**

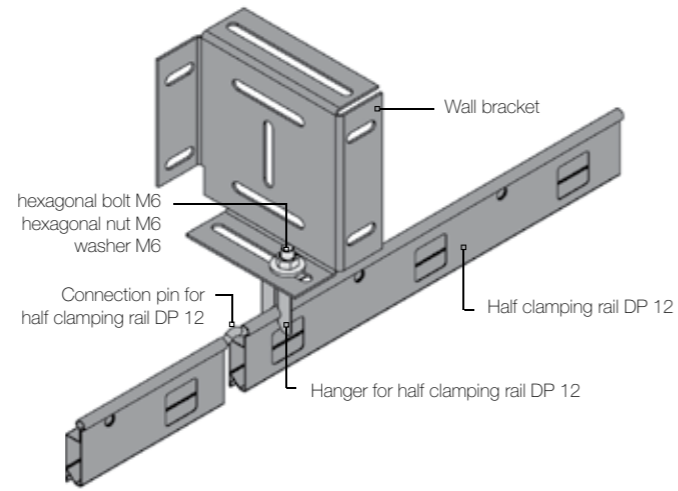


Item No.	Designation
BPM 311007	black wall bracket
BPM 300209	hanger for clamping rail DP 12
BPM 311149	half clamping rail DP 12
BPM 300138	connection pin for clamping rail DP 12
BPM 311303	hexagonal bolt M6 x 16 mm
BPM 311103	hexagonal nut M6
BPM 311305	washer M6 18 x 1.6 mm
BPM300189	access hinge-down bracket for half DP 12
BPM 300106	security clip
BPM 311028	extraction tool

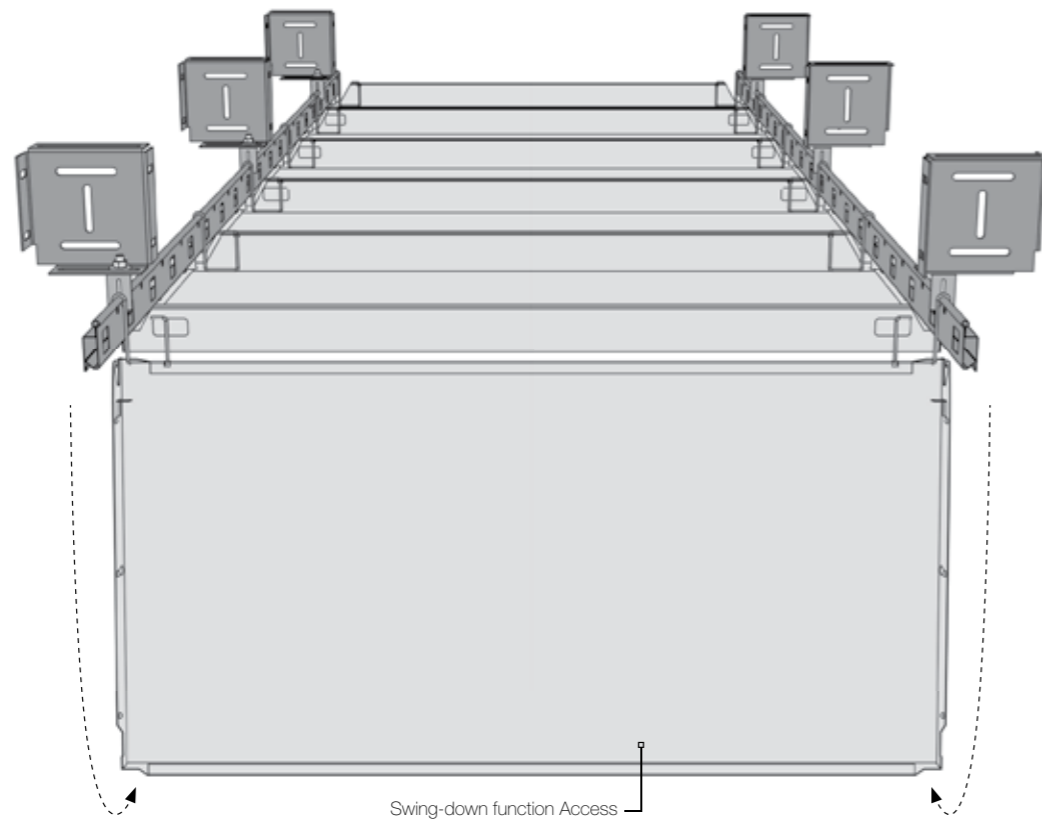
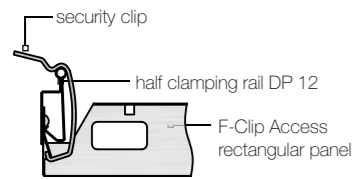
**Detail A** F-Clip Access rectangular panel



**Detail B** grid system



**Detail C** security clip



For further information about the edge detail execution of metal tiles, please see the Metal Edge Detail Execution datasheet



**Metal**  
product

**Q-CLIP SYSTEM**  
Square tiles

Inspiring Great Spaces™

**Armstrong®**

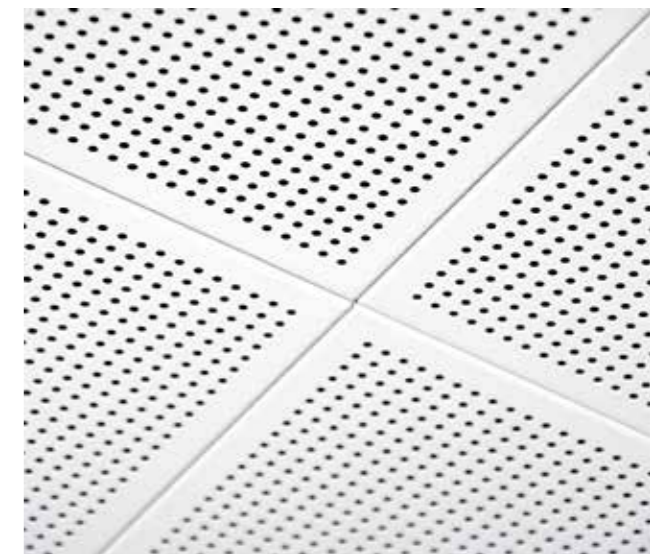
# Q-CLIP SYSTEM SQUARE TILES



## SPECIFICATION

System	Armstrong ceiling system Q-Clip, Clip-In solution with concealed grid, with optional swing-down "Window" function, suspension height min. 100 mm
Tile material	galvanised steel sheet 0.5 mm (aluminium or further materials on request)
Coating	RAL 9010 pure white post-coated powder painted visible surface, other RAL or NCS colours on request
Execution*	Q-Clip: square tile square edged Q-Clip F: square tile bevel edged 3 mm
Gap solution	0 mm gap, without gasket
Acoustic inlay	Black non-woven acoustic fleece as standard. Other options available on request.
Standard modules	Q-Clip: 600 x 600 mm 625 x 625 mm Q-Clip F: 500 x 500 mm 600 x 600 mm 600 x 300 mm (no "Window" function) 625 x 625 mm 625 x 312.5 mm (no "Window" function)
Grid system	GemaGrid® System in combination with clamping rail DP 12, security clip optional available, further suspension methods on request

Perimeter solution	Range of standards trims in steel and aluminium plus custom bulkheads available.
Service integration	standard round or rectangular cut-outs plus customized options on request.
Special capabilities	- secured exterior ceiling solution - seismic ceiling solution - clean room ceiling solution - can be combined with other Armstrong products



### BENEFITS

- Concealed grid system for a monolithic ceiling surface
- Downwardly demountable with the use of an extraction tool for access to the ceiling void.

### ■ Cost effective

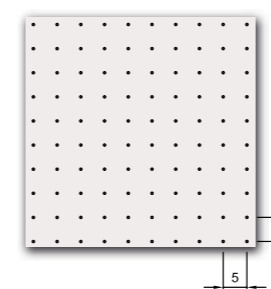
- Solution with optional swing-down "Window" function

### APPLICATION AREA

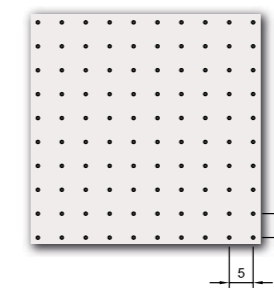
- Used in a variety of ceiling areas: from small service rooms to large commercial office buildings and major transportation terminals.

PROJECT: GGZ Oost Brabant (NL) : ARCHITECT: MAS Architectuur

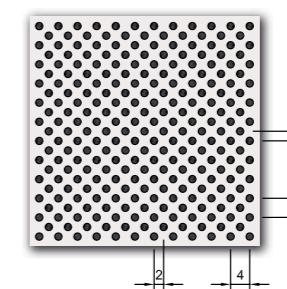
## STANDARD PERFORATION PATTERNS



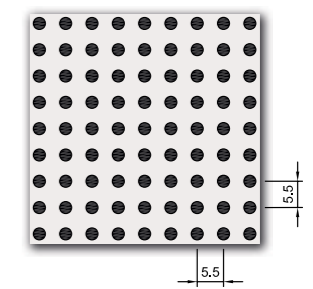
**Ultra Microperforation Rg 0501**  
Hole diameter: 0.5 mm  
Open area: 0.64 %



**Extra Microperforation Rg 0701**  
Hole diameter: 0.7 mm  
Open area: 1.5 %



**Microperforation Rd 1522**  
Hole diameter: 1.5 mm  
Open area: 22%



**Standard Perforation Rg 2516**  
Hole diameter: 2.5 mm  
Open area: 16%

Other perforation patterns available on request.

### ACOUSTIC PERFORMANCE

Metal ceiling systems have been tested for their acoustic performance of sound absorption. All perforated products can be supplied with a variety of factory fitted acoustic infill options. Please contact us for more information.

### THERMAL CONDUCTIVITY

(λ) W/mK  
50.0 : Steel  
0.04 : Acoustic fleece

### HUMIDITY EXPOSURE

Up to 95% RH (for short term exposure).

### SERVICES INTEGRATION

Metal panels can be supplied with factory produced cut outs and apertures for the integration of building services equipment.

### CLEANING

Dust should be removed from the painted surface by wiping with a clean soft cloth. More stubborn marks should be removed with a mild household detergent in warm water. Excessive use of water should be avoided. The use of abrasive cleaners of the painted surface is not recommended.

### COLOUR

#### Standard colours

RAL 9010 20% gloss  
Global White 12% gloss  
RAL 9006 30% gloss  
RAL 9007 30% gloss



#### Special colours

Other RAL and NCS colours available on request

### QUALITY STANDARD

Armstrong is a certified **EN ISO 9001:2008** Quality Assumed Manufacturer. All Armstrong ceiling and grid systems are manufactured to the relevant tolerances and quality standards appropriate to material. Where differences exist between this and any expressed or implied architectural specifications or requirements then Armstrong's manufacturing standards will prevail unless stated otherwise.

### ENVIRONMENTAL

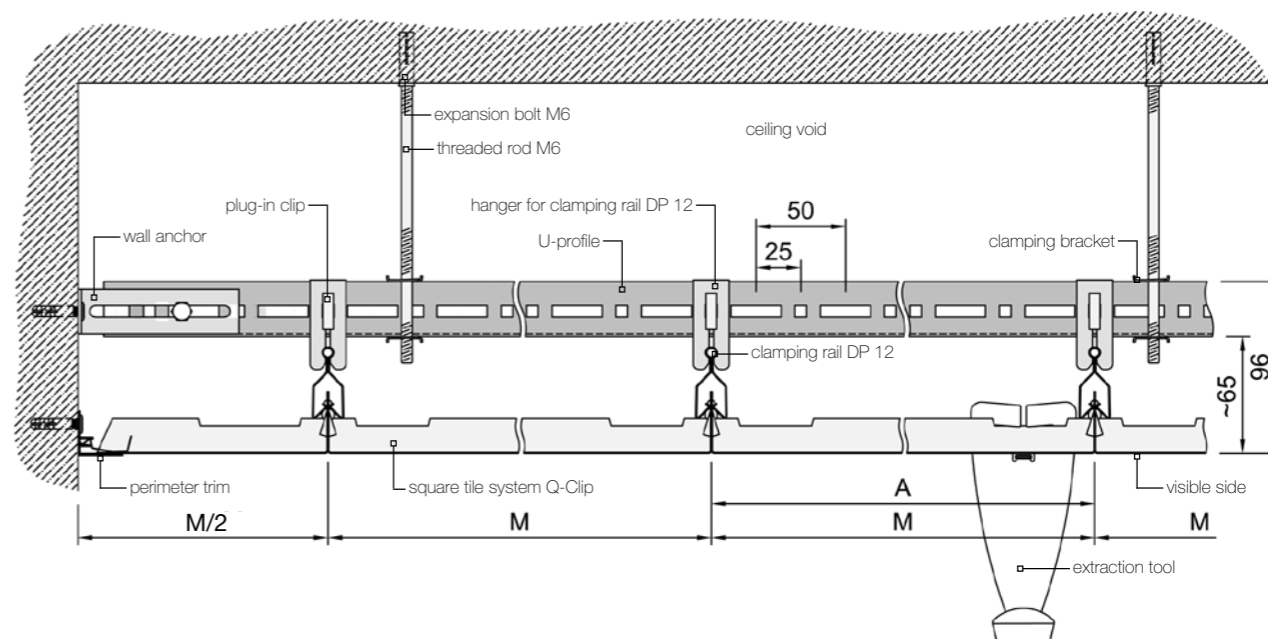
Our metal panels have an average of up to 30% recycling content. Our European manufacturing plants are certified to: **ISO 14001:2004 + Cor. 1:2009**  
Armstrong is a member of TAIM (Technical Association of Industrial Metal Ceilings).

Sustainability		Acoustics						Safe & Healthy				
ISO 14021												
Recycled content (%)	Light reflectance (%)	α <sub>w</sub> up to	Sound absorption class	NRC up to	Dncw / Dnfw (dB) up to	Rw (dB) up to	Fire reaction	Humidity Resistance (%) up to	Cleanability	Bioguard paint option	Scratch resistance	

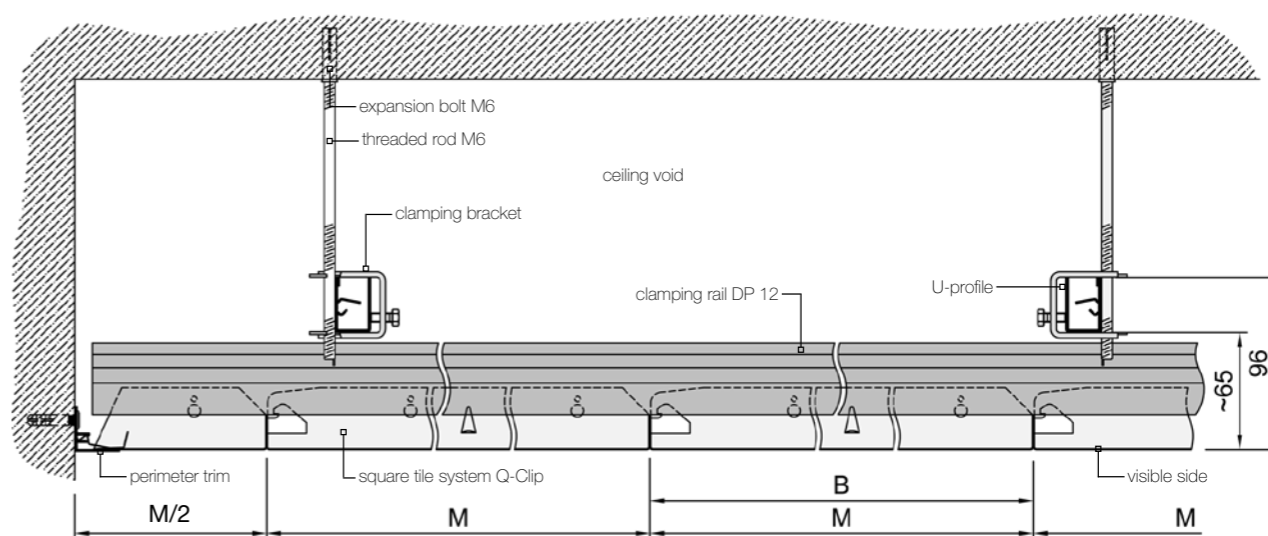
Ultra Microperforation Rg 0501 (1)	up to 30	83	0.45(L)	D	0.55	18	8	A1	95	scrubbable	✓	✓
Extra Microperforation Rg 0701 (2)	up to 30	80	0.55(L)	D	0.65	21	10	A2-s2, d0	95	wipeable moist cloth (3)	✓	✓
Microperforation Rd 1522 (2)	up to 30	65	0.70	C	0.70	16	6	A2-s2, d0	95	wipeable moist cloth (3)		✓
Standard Perforation Rg 2516 (2)	up to 30	70	0.75(L)	C	0.80	18	8	A2-s2, d0	95	wipeable moist cloth (3)		✓
Plain / Unperforated (1)	up to 30	85	0.10(L)	Not Classified	0.10	44	19	A1	95	scrubbable, high pressure water cleaning (4)	✓	✓

(1) RAL 9010 colour, without acoustic inlay. (2) RAL 9010 colour, with black acoustic fleece glued on rear. (3) Wipeable moist cloth for perforated tiles with fleece. Scrubbable for plain tiles or perforated tiles without fleece. (4) Only for plain Clip-in systems with silicone sealed joints (reduced water pressure to the minimum).

### CROSS-SECTION Q-CLIP



### LONGITUDINAL-SECTION Q-CLIP

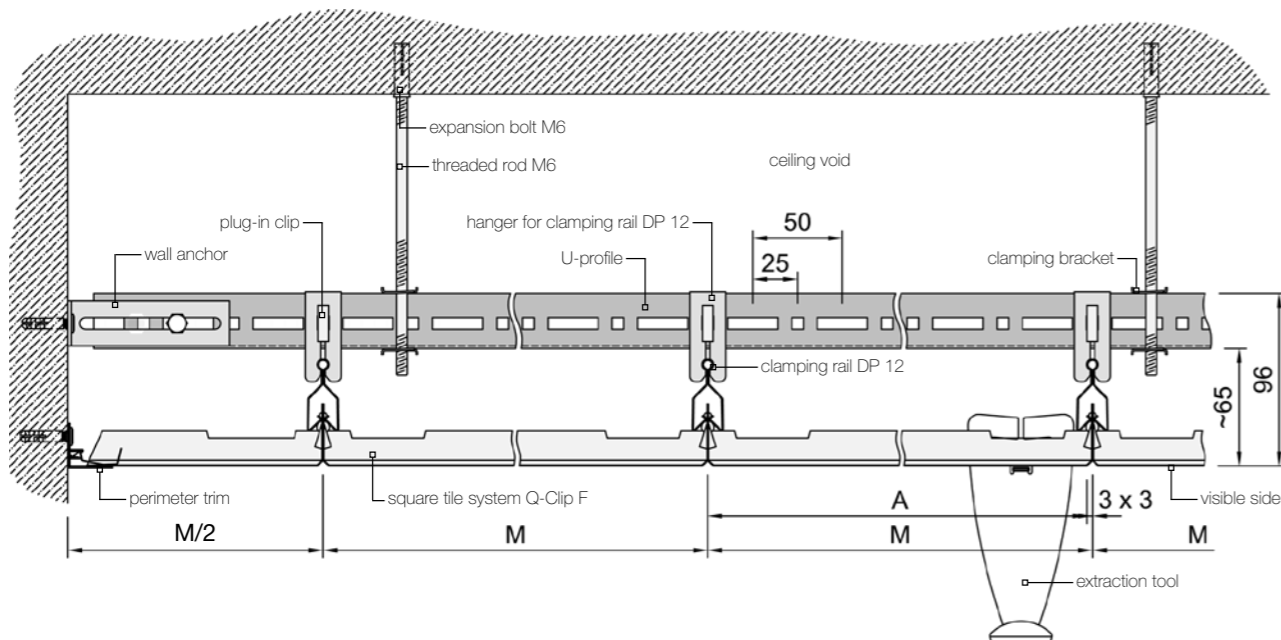


M = module size / A = tile length / B = tile width

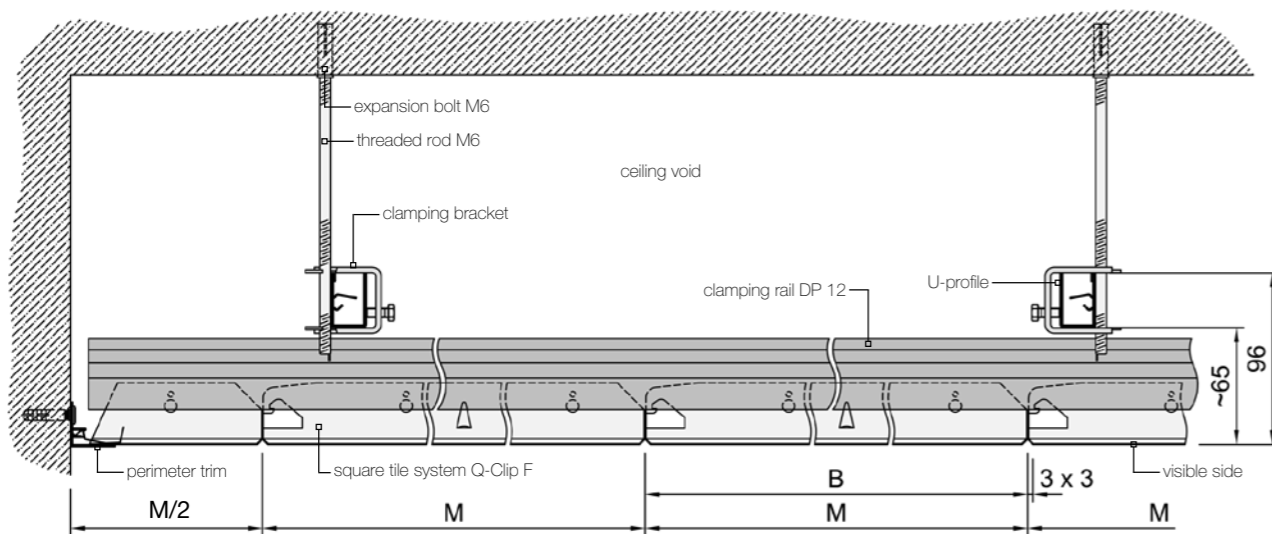
Item No.	Designation
BPM 300100	U-profile
BPM 300119	connector for U-profile
BPM 300120	plug-in clip
BPM 300140	wall anchor
BPM 300121	clamping bracket
BPM 311111	expansion bolt M6 x 30 mm
BPM 311099	threaded rod M6 x 1'000 mm
BPM 311022	clamping rail DP 12
BPM 300138	connection pin for clamping rail DP 12

Item No.	Designation
BPM 300105	hanger for clamping rail DP 12
BPM 311303	hexagonal bolt M6 x 16 mm
BPM 311103	hexagonal nut M6
BPM 311305	washer M6 18 x 1.6 mm
BPM 300106	security clip
BPM 311028	extraction tool
BPM 311027	hinge-down bracket for Window function
BPM 300157	security clamp for Window function

**CROSS-SECTION Q-CLIP F**

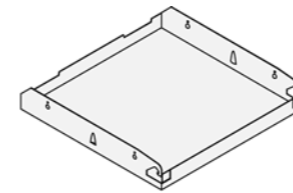


**LONGITUDINAL-SECTION Q-CLIP F**

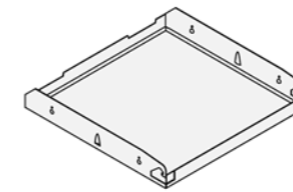


M = module size / A = tile length / B = tile width

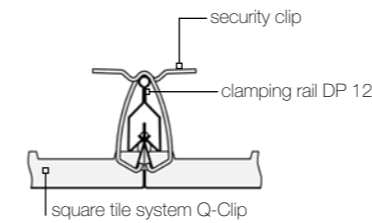
**Detail A** Q-Clip square tile



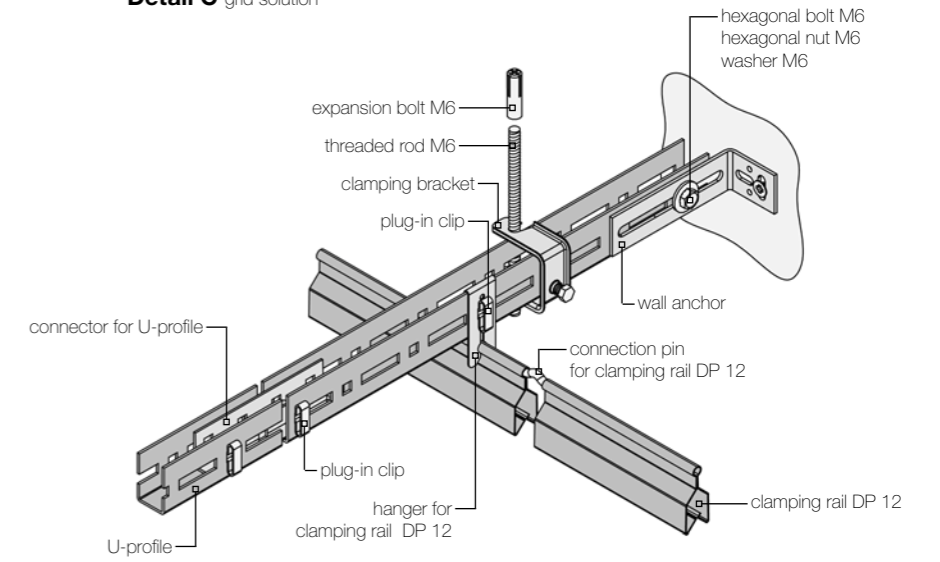
**Detail B** Q-Clip F square tile



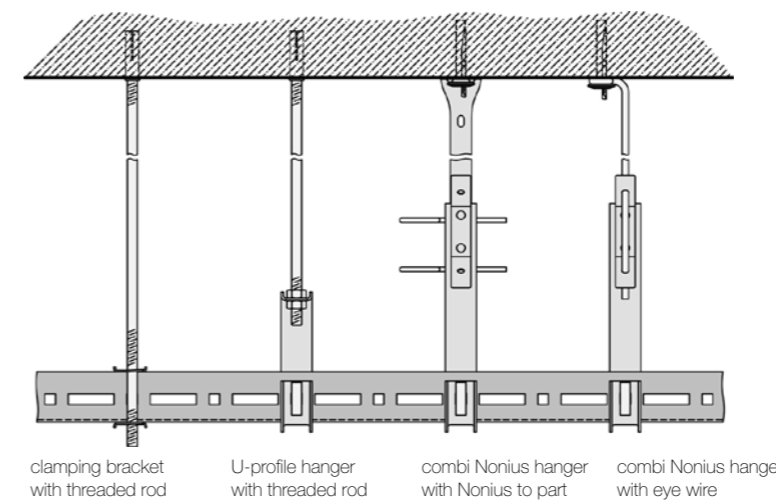
**Detail D** security clip



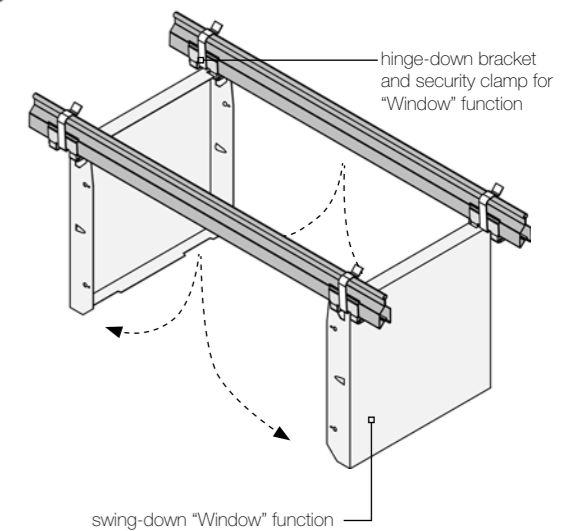
**Detail C** grid solution



**Detail E** suspension methods



clamping bracket with threaded rod    U-profile hanger with threaded rod    combi Nonius hanger with Nonius to part    combi Nonius hanger with eye wire



For further information about the edge detail execution of metal tiles, please see the Metal Edge Detail Execution datasheet

**Metal**  
product

# **R-CLIP SYSTEM**

Rectangular panels / planks

Inspiring Great Spaces™

**Armstrong®**



# R-CLIP SYSTEM

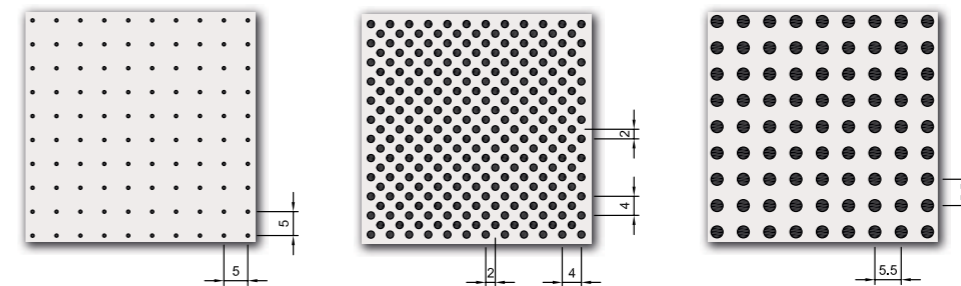
## RECTANGULAR PANELS / PLANKS

### SPECIFICATION

System	Armstrong ceiling system R-Clip, Clip-In solution with concealed grid, with optional swing-down "Window" function, suspension height min. 100 mm	Standard modules	R-Clip 1500 x 312.5 mm 1500 x 400 mm 2000 x 312.5 mm 2000 x 400 mm 2500 x 312.5 mm 2500 x 312.5 mm R-Clip F: 1200 x 300 mm 1200 x 600 mm 1800 x 400 mm
Panel material	galvanised steel sheet R-Clip: panel width up to 400 mm 0.6 mm panel width from 401 mm 0.7 mm R-Clip F: panel length 1200 mm 0.5 mm panel length 1800 mm 0.6 mm (aluminium or further materials on request)	Configurable dimensions	R-Clip: panel length (A) 600 - 2500 mm panel width (B) 275 - 600 mm
Coating	RAL 9010 pure white post-coated powder painted visible surface, other RAL or NCS colours on request.	Grid system	GemaGrid® system in combination with clamping rail DP 12, security clip optional available, further suspension methods on request.
Execution*	R-Clip rectangular panel square edged long sides CA / DA (40 mm) short sides E6 / F6 (38 mm)  R-Clip F rectangular panel bevel edged 3 mm long sides CC / DC (35 mm) short sides E6 / F6 (38 mm)	Perimeter solution	Range of standards trims in steel and aluminium plus custom bulkheads available.
Gap solution	0 mm gap, without gasket	Service integration	standard round or rectangular cut-outs plus customised options on request.
Acoustic inlay	Black non-woven acoustic fleece as standard. Other options available on request.	Special capabilities	- secured exterior ceiling solution - can be combined with other Armstrong products - clean room ceiling solution (R-Clip F)

\* For further information about the edge detail execution of metal tiles, please see the Metal Edge Detail Execution datasheet

### STANDARD PERFORATION PATTERNS



**Extra Microperforation Rg 0701**  
Hole diameter: 0.7 mm  
Open area: 1.5 %

**Microperforation Rd 1522**  
Hole diameter: 1.5 mm  
Open area: 22%

**Standard Perforation Rg 2516**  
Hole diameter: 2.5 mm  
Open area: 16%

Other perforation patterns available on request.

### BENEFITS

- Versatile system and simple design
- Concealed grid for a monolithic effect
- Excellent acoustic performance
- Ease of installation (alignment) and fully demountable
- Easy access to the ceiling void
- Maintenance friendly system
- Downwardly demountable with the use of an extraction tool for access to the ceiling void

### APPLICATION AREA

- Suitable for large open plan / circulation areas.

### ACOUSTIC PERFORMANCE

Metal ceiling systems have been tested for their acoustic performance in terms of sound absorption, sound attenuation and sound reduction. These performance values will depend upon the perforation and the acoustic infill. Please contact us for more information on the available factory fitted acoustic options.

### THERMAL CONDUCTIVITY

(λ) W/mK  
50.0 : Steel  
0.04 : Acoustic fleece

### HUMIDITY EXPOSURE

Up to 95% RH (for short term exposure).

### SERVICES INTEGRATION

Metal panels can be supplied with factory produced cut outs and apertures for the integration of building services equipment.

### CLEANING

Dust should be removed from the painted surface by wiping with a clean soft cloth. More stubborn marks should be removed with a mild household detergent in warm water. Excessive use of water should be avoided. The use of abrasive cleaners of the painted surface is not recommended.

### COLOUR

#### Standard colours

RAL 9010 20% gloss  
Global White 12% gloss  
RAL 9006 30% gloss  
RAL 9007 30% gloss



#### Special colours

Other RAL and NCS colours available on request

### QUALITY STANDARD

Armstrong is a certified **EN ISO 9001:2008** Quality Assured Manufacturer. All Armstrong ceiling and grid systems are manufactured to the relevant tolerances and quality standards appropriate to material. Where differences exist between this and any expressed or implied architectural specifications of requirements then Armstrong's manufacturing standards will prevail unless stated otherwise.

### ENVIRONMENTAL

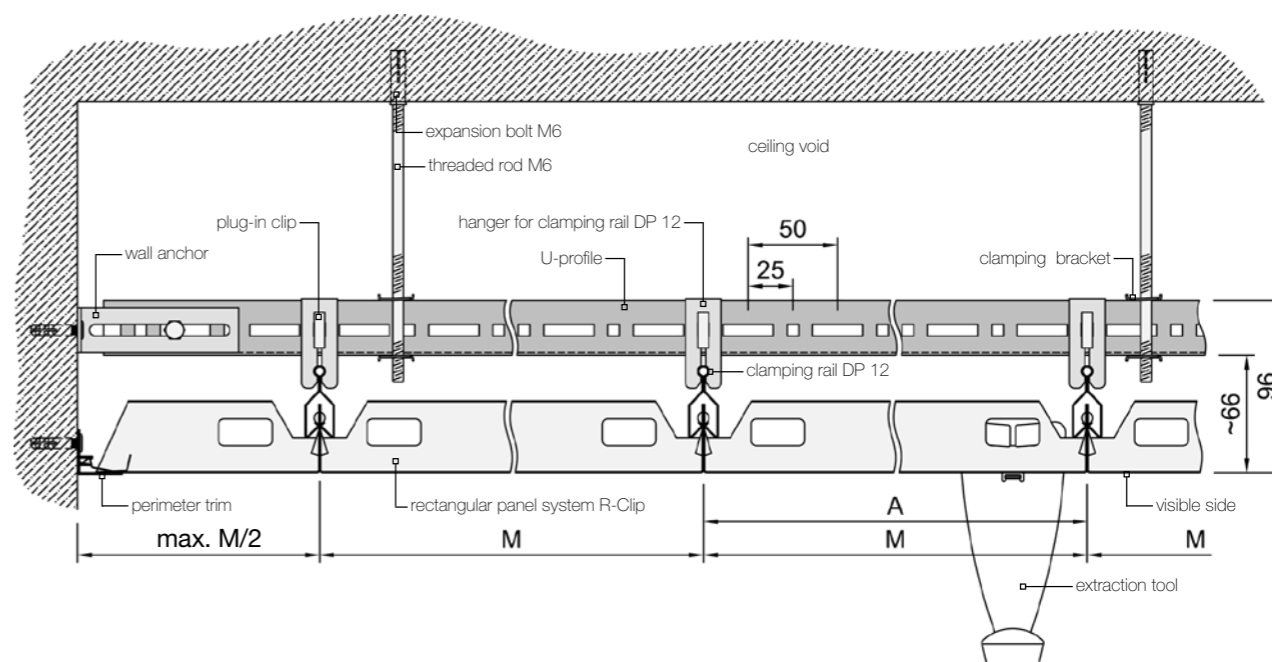
Our metal panels have an average of up to 30% recycling content. Our European manufacturing plants are certified to: **ISO 14001:2004 + Cor. 1:2009**  
Armstrong is a member of TAIM (Technical Association of Industrial Metal Ceilings).

Sustainability		Acoustics					Safe & Healthy					
Recycled content (%)	Light reflectance (%)	α <sub>w</sub> up to	Sound absorption class	NRC up to	Dncw / Dnfw (dB) up to	Rw (dB) up to	Fire reaction	Humidity Resistance (%) up to	Cleanability	Bioguard paint option	Air quality	Scratch resistance

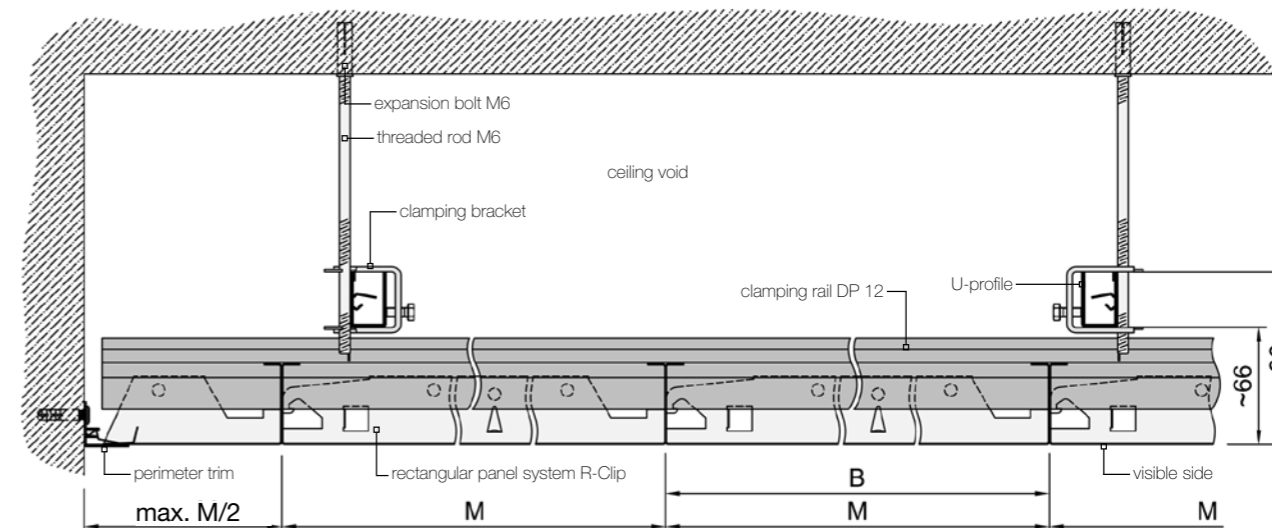
Extra Microperforation Rg 0701 (2)	up to 30	80	0.55(L)	D	0.65	21	10	A2-s2, d0	95	wipeable moist cloth (3)	✓	✓
Microperforation Rd 1522 (2)	up to 30	65	0.70	C	0.70	16	6	A2-s2, d0	95	wipeable moist cloth (3)		✓
Standard Perforation Rg 2516 (2)	up to 30	70	0.75(L)	C	0.80	18	8	A2-s2, d0	95	wipeable moist cloth (3)		✓
Plain / Unperforated (1)	up to 30	85	0.10(L)	Not Classified	0.10	44	19	A1	95	scrubbable, high pressure water cleaning (4)	✓	ISO 5 (5)
Premium B15 (5)	up to 30	depends on perforation	0.65	C	0.60	41	20	A2-s1, d0	95	wipeable moist cloth		✓
Premium OP19 (5)	up to 30	depends on perforation	1.00	A	0.90	31	15	A2-s2, d0	95	wipeable moist cloth		✓

(1) RAL 9010 colour, without acoustic infill. (2) RAL 9010 colour, with black acoustic fleece glued on rear. (3) Wipeable moist cloth for perforated tiles with fleece. Scrubbable for plain tiles or perforated tiles without fleece. (4) Only for plain Clip-in systems with silicone sealed joints (reduced water pressure to the minimum). (5) Available only for R-Clip F.

### CROSS-SECTION R-CLIP



### LONGITUDINAL-SECTION R-CLIP

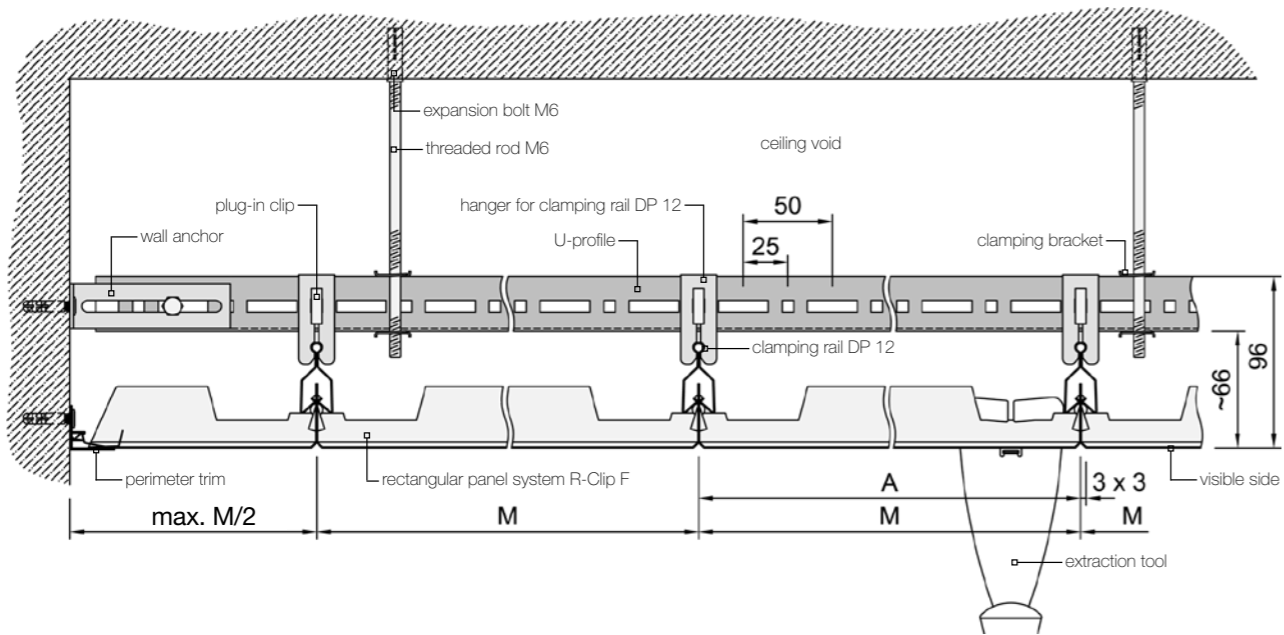


M = module size / A = panel length / B = panel width

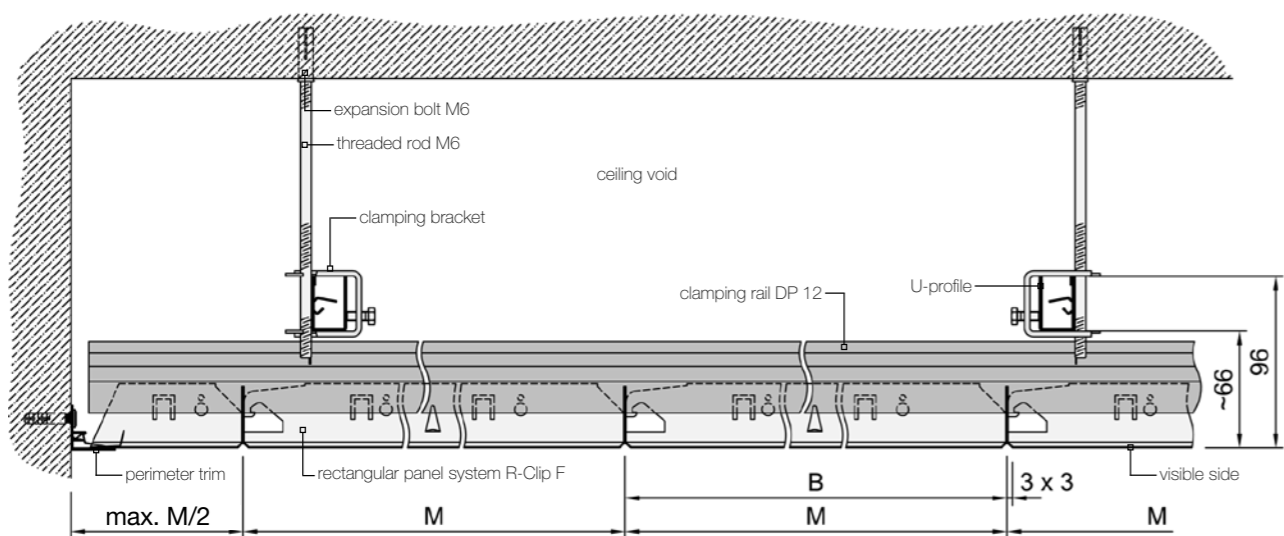
Item No.	Designation
BPM 300100	U-profile
BPM 300119	connector for U-profile
BPM 300120	plug-in clip
BPM 300140	wall anchor
BPM 300121	clamping bracket
BPM 311111	expansion bolt M6 x 30 mm
BPM 311099	threaded rod M6 x 1'000 mm
BPM 311022	clamping rail DP 12
BPM 300138	connection pin for clamping rail DP 12

Item No.	Designation
BPM 300105	hanger for clamping rail DP 12
BPM 311303	hexagonal bolt M6 x 16 mm
BPM 311103	hexagonal nut M6
BPM 311305	washer M6 18 x 1.6 mm
BPM 300106	security clip
BPM 311028	extraction tool
BPM 311027	hinge-down bracket for Window function
BPM 300157	security clamp for Window function

**CROSS-SECTION R-CLIP F**

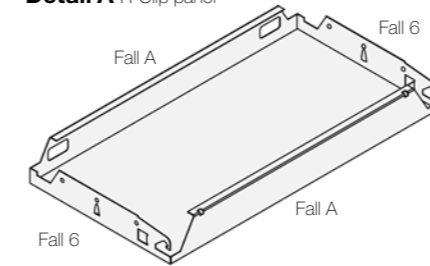


**LONGITUDINAL-SECTION R-CLIP F**

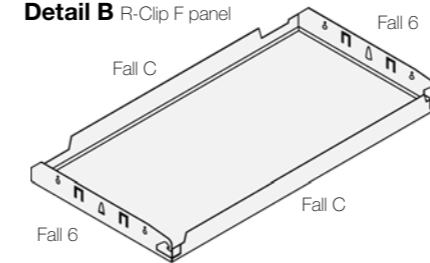


M = module size / A = panel length / B = panel width

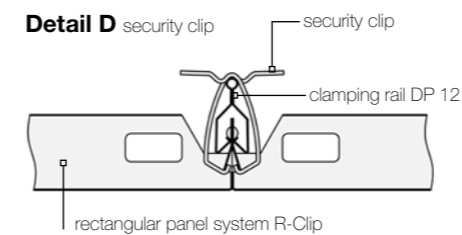
**Detail A** R-Clip panel



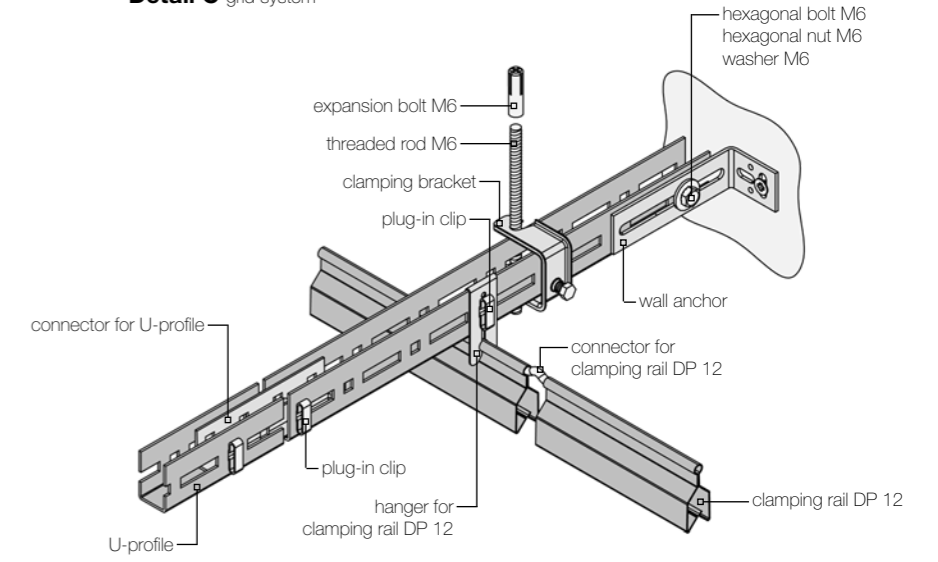
**Detail B** R-Clip F panel



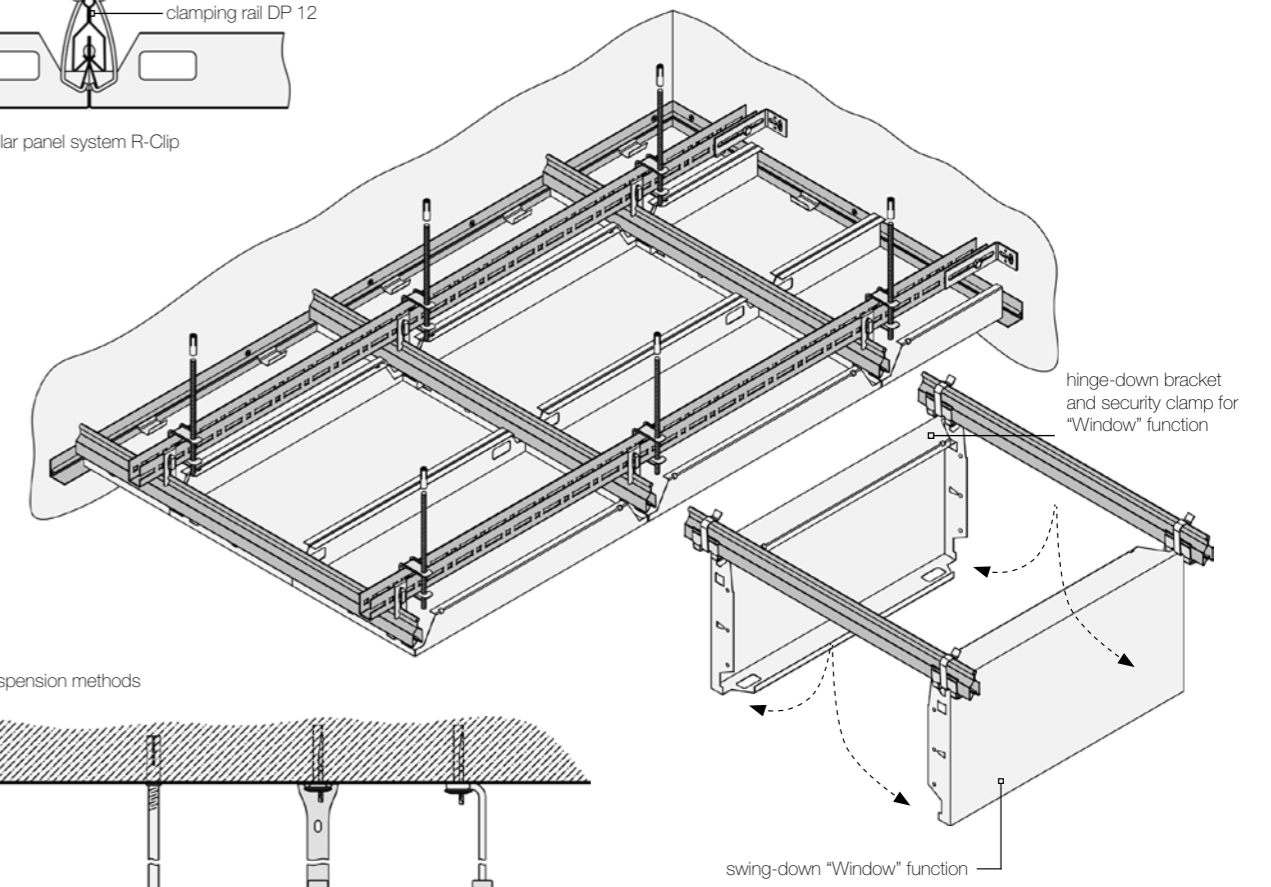
**Detail D** security clip



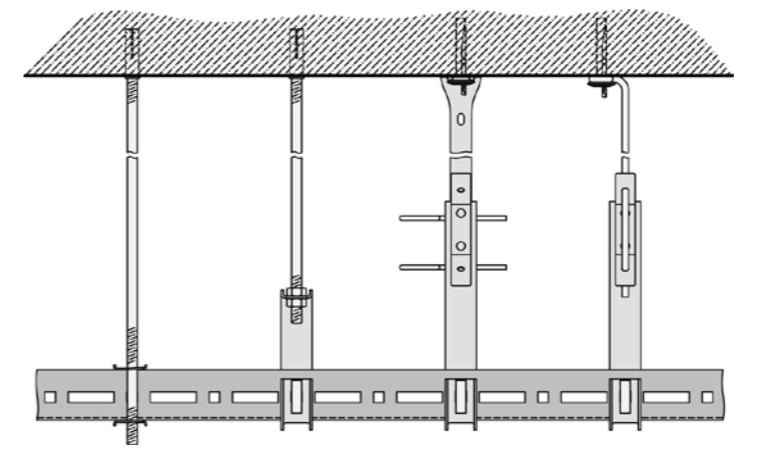
**Detail C** grid system



For further information about the edge detail execution of metal tiles, please see the Metal Edge Detail Execution datasheet



**Detail E** suspension methods



clamping bracket with threaded rod    U-profile hanger with threaded rod    combi Nonius hanger with Nonius to part    combi Nonius hanger with eye wire

**Metal**  
product

**S-CLIP F SYSTEM**  
Square & rectangular tiles

Inspiring Great Spaces™

**Armstrong®**



# S-CLIP F SYSTEM

## SQUARE & RECTANGULAR TILES

### SPECIFICATION

System	Armstrong ceiling system S-Clip F, Clip-In solution with concealed grid, with included swing-down function, suspension height min. 95 mm
Tile material	galvanised steel sheet 0.5 mm (aluminium or further materials on request)
Coating	RAL 9010 pure white post-coated powder painted visible surface, other RAL or NCS colours on request
Execution*	Square tile bevel edged 3 mm with standard notching
Gap solution	0 mm gap, without gasket
Acoustic inlay	Black non-woven acoustic fleece as standard. Other options available on request.
Standard modules	600 x 600 mm 625 x 625 mm 625 x 312.5 mm 300 x 900 mm 300 x 1200 mm 300 x 1500 mm
Grid system	GemaGrid® System in combination with clamping rail DP 12, further suspension methods on request

Perimeter solution	Range of standards trims in steel and aluminium plus custom bulkheads available.
Service integration	standard round or rectangular cut-outs plus customized options on request.



\* For further information about the edge detail execution of metal tiles, please see the Metal Edge Detail Execution datasheet

### BENEFITS

- Concealed grid system for a monolithic ceiling surface
- Downwardly demountable with the use of an extraction tool for access to the ceiling void.

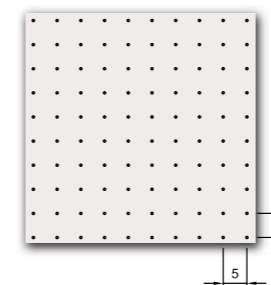
- Cost effective
- Excellent acoustic performance
- With integrated swing-down function

### APPLICATION AREA

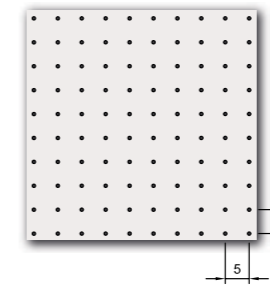
- Used in a variety of ceiling areas: from small service rooms to large commercial office buildings and major transportation terminals.

PROJECT: 10 Woodcock Street, Birmingham County Council (UK) ::::: ARCHITECT: Associated Architects

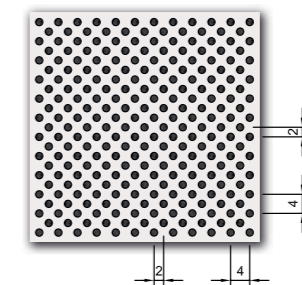
### STANDARD PERFORATION PATTERNS



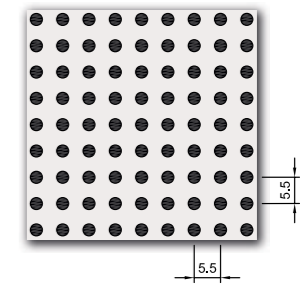
**Ultra Microperforation Rg 0501\***  
Hole diameter: 0.5 mm  
Open area: 0.64 %



**Extra Microperforation Rg 0701**  
Hole diameter: 0.7 mm  
Open area: 1.5 %



**Microperforation Rd 1522**  
Hole diameter: 1.5 mm  
Open area: 22%



**Standard Perforation Rg 2516**  
Hole diameter: 2.5 mm  
Open area: 16%

\*Only available for square tiles.

Other perforation patterns available on request.

**ACOUSTIC PERFORMANCE**

Metal ceiling systems have been tested for their acoustic performance in terms of sound absorption, sound attenuation and sound reduction. These performance values will depend upon the perforation and the acoustic infill. Please contact us for more information on the available factory fitted acoustic options.

**THERMAL CONDUCTIVITY**

(λ) W/mK  
50.0 : Steel  
0.04 : Acoustic fleece

**HUMIDITY EXPOSURE**

Up to 95% RH (for short term exposure).

**SERVICES INTEGRATION**

Metal panels can be supplied with factory produced cut outs and apertures for the integration of building services equipment.

**CLEANING**

Dust should be removed from the painted surface by wiping with a clean soft cloth. More stubborn marks should be removed with a mild household detergent in warm water. Excessive use of water should be avoided. The use of abrasive cleaners of the painted surface is not recommended.

**COLOUR**

**Standard colours**

- RAL 9010 20% gloss
- Global White 12% gloss
- RAL 9006 30% gloss
- RAL 9007 30% gloss



**Special colours**

Other RAL and NCS colours available on request

**QUALITY STANDARD**

Armstrong is a certified **EN ISO 9001:2008** Quality Assured Manufacturer. All Armstrong ceiling and grid systems are manufactured to the relevant tolerances and quality standards appropriate to material. Where differences exist between this and any expressed or implied architectural specifications of requirements then Armstrong's manufacturing standards will prevail unless stated otherwise.

**ENVIRONMENTAL**

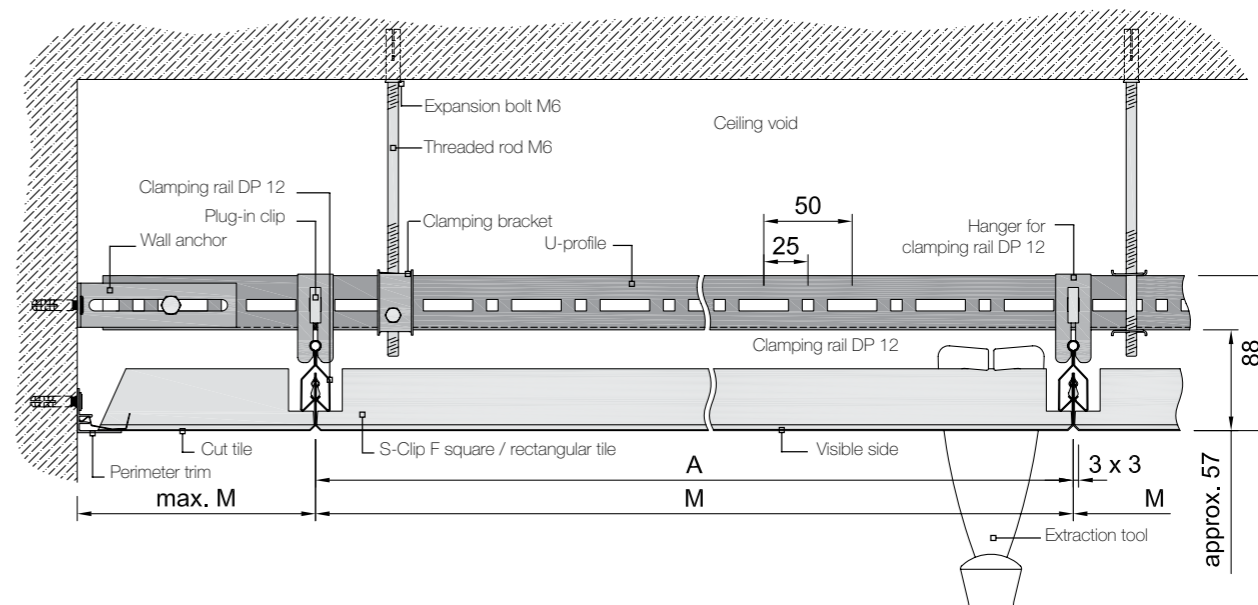
Our metal panels have an average of up to 30% recycling content. Our European manufacturing plants are certified to: **ISO 14001:2004 + Cor. 1:2009**  
Armstrong is a member of TAIM (Technical Association of Industrial Metal Ceilings).

Sustainability		Acoustics						Safe & Healthy				
Recycled content (%)	Light reflectance (%)	α <sub>w</sub> up to	Sound absorption class	NRC up to	D <sub>ncw</sub> / D <sub>nfw</sub> (dB) up to	R <sub>w</sub> (dB) up to	Fire reaction	Humidity Resistance (%) up to	Cleanability	Bioguard paint option	Scratch resistance	

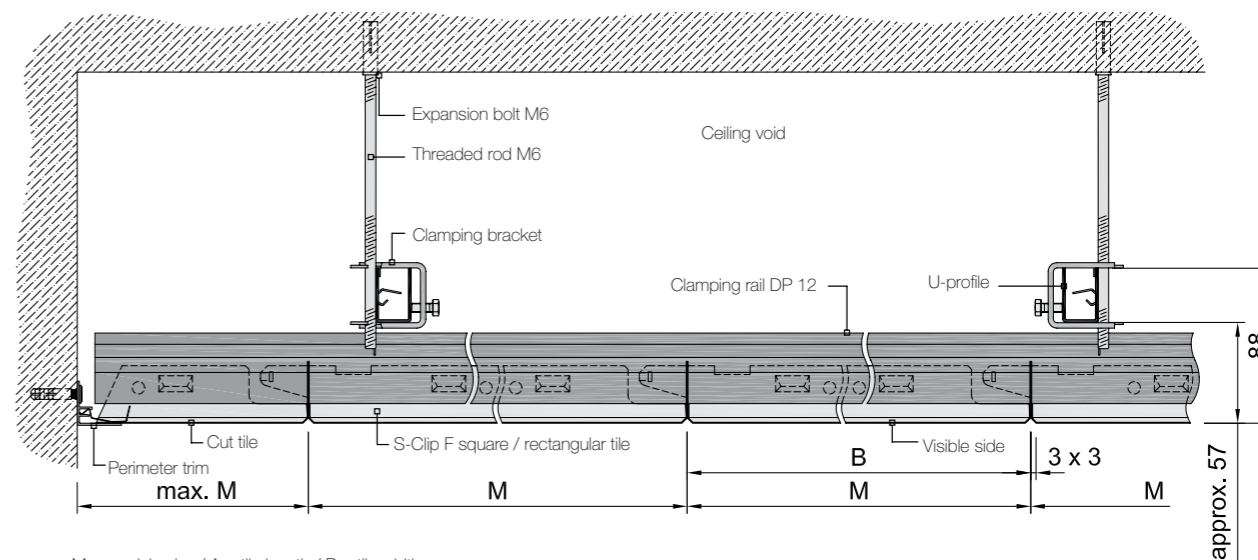
Ultra Microperforation Rg 0501 (1)	up to 30	83	0.45(LM)	D	0.55	18	8	A1	95	scrubbable	✓	✓
Extra Microperforation Rg 0701 (2)	up to 30	80	0.55(L)	D	0.65	21	10	A2-s2, d0	95	wipeable moist cloth (3)	✓	✓
Microperforation Rd 1522 (2)	up to 30	65	0.70	C	0.70	16	6	A2-s2, d0	95	wipeable moist cloth (3)		✓
Standard Perforation Rg 2516 (2)	up to 30	70	0.75(L)	C	0.80	18	8	A2-s2, d0	95	wipeable moist cloth (3)		✓
Plain / Unperforated (1)	up to 30	85	0.10(L)	Not Classified	0.10	44	19	A1	95	scrubbable	✓	✓
Premium B15	up to 30	depends on perforation	0.65	C	0.60	41	20	A2-s1, d0	95	wipeable moist cloth		✓
Premium OP19	up to 30	depends on perforation	1.00	A	0.90	31	15	A2-s2, d0	95	wipeable moist cloth		✓

(1) RAL 9010 colour, without acoustic inlay. (2) RAL 9010 colour, with black acoustic fleece glued on rear. (3) Wipeable moist cloth for perforated tiles with fleece. Scrubbable for plain tiles or perforated tiles without fleece.

**CROSS-SECTION S-CLIP F**



**LONGITUDINAL-SECTION S-CLIP F**

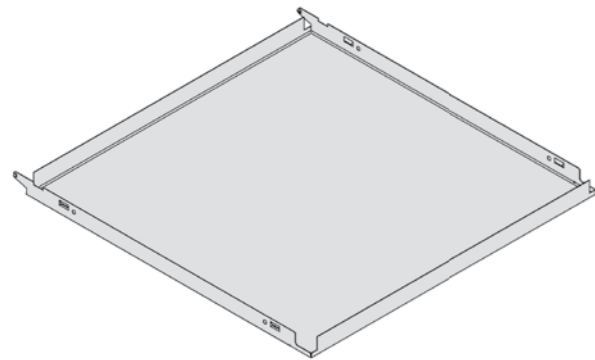


M = module size / A = tile length / B = tile width

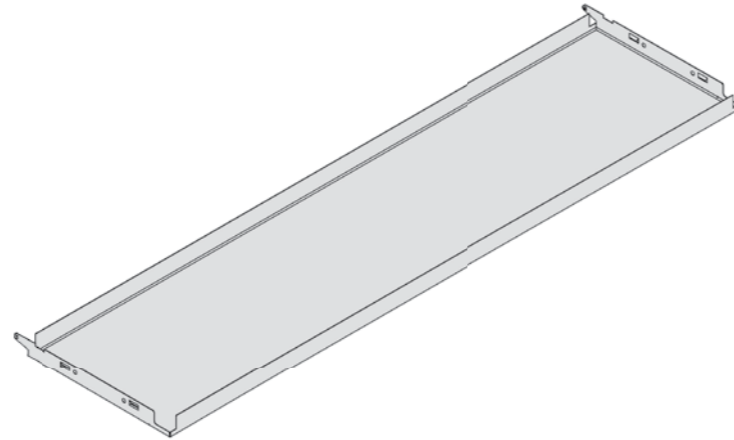
Item No.	Designation
BPM 300100	U-profile
BPM 300119	Connector for U-profile
BPM 300120	Plug-in clip
BPM 300140	Wall anchor
BPM 300121	Clamping bracket
BPM 311111	Expansion bolt M6 x 30 mm
BPM 311099	Threaded rod M6 x 1000 mm

Item No.	Designation
BPM 311022	Clamping rail DP 12
BPM 300138	Connection pin for clamping rail DP 12
BPM 300105	Hanger for clamping rail DP 12
BPM 311303	Hexagonal bolt M6 x 16 mm
BPM 311103	Hexagonal nut M6
BPM 311305	Washer M6 18 x 1.6 mm
BPM 311046	Extraction tool

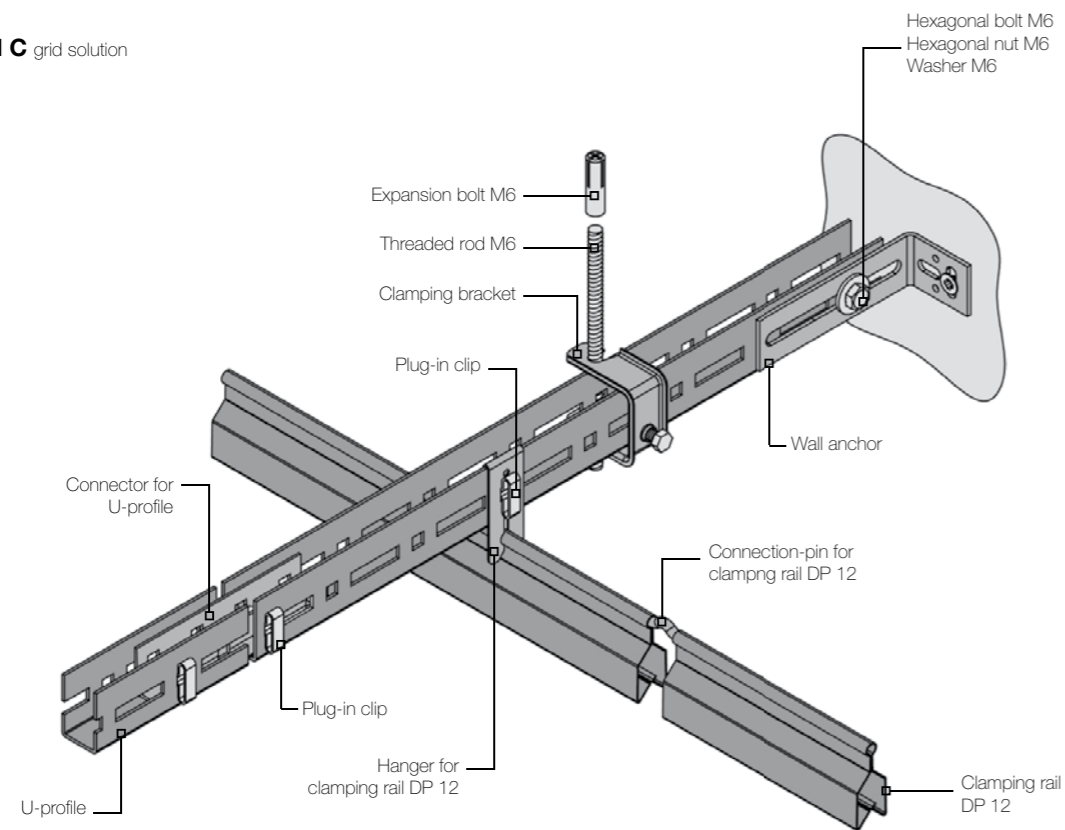
**Detail A** S-Clip F square tile



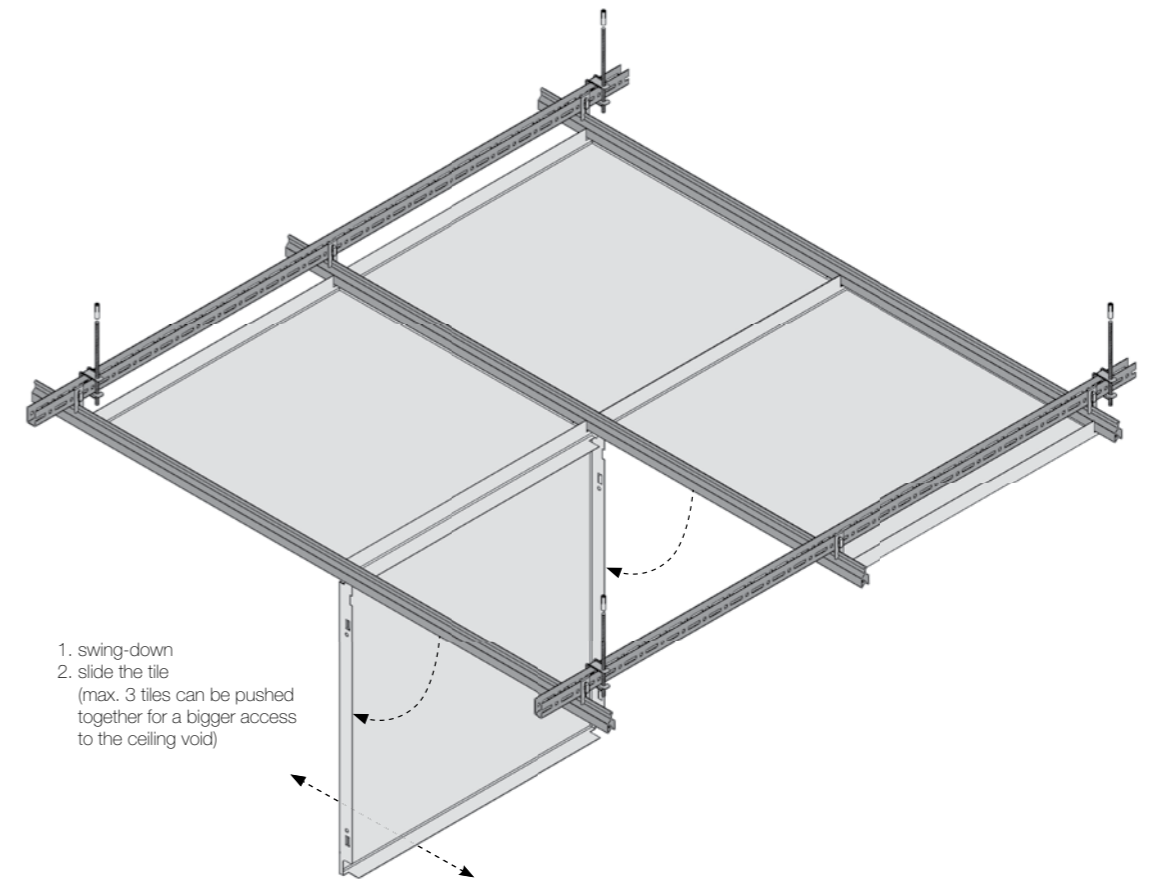
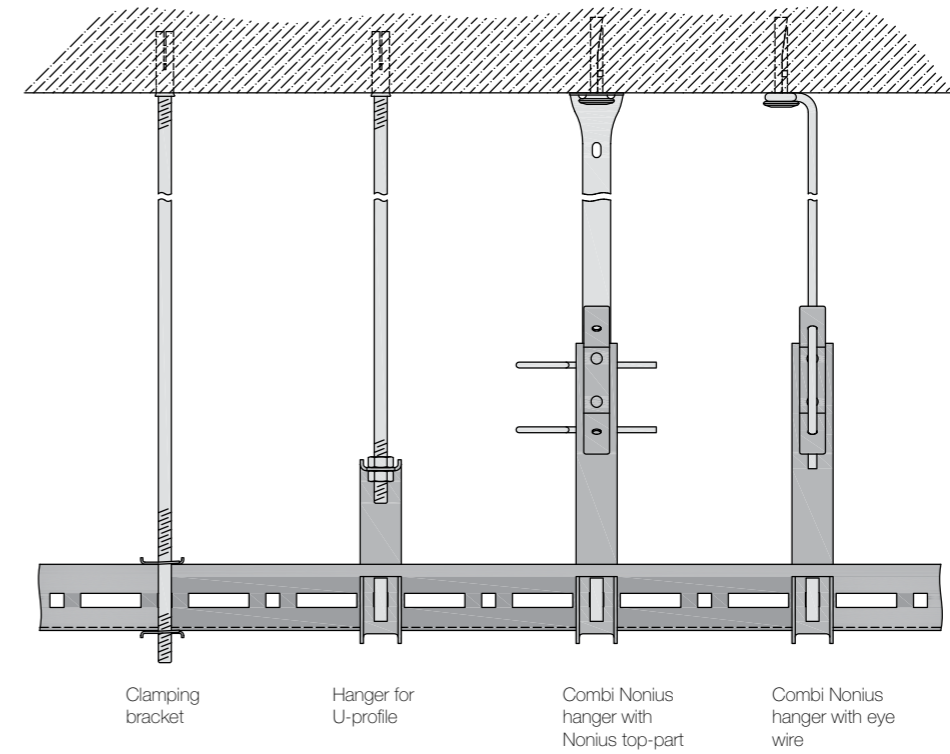
**Detail B** S-Clip F rectangular tile option



**Detail C** grid solution



**Detail D** U-profile suspension methods



**Metal**  
product

# T-CLIP F SYSTEM

Square & rectangular tiles

Inspiring Great Spaces™

**Armstrong®**

# T-CLIP F SYSTEM

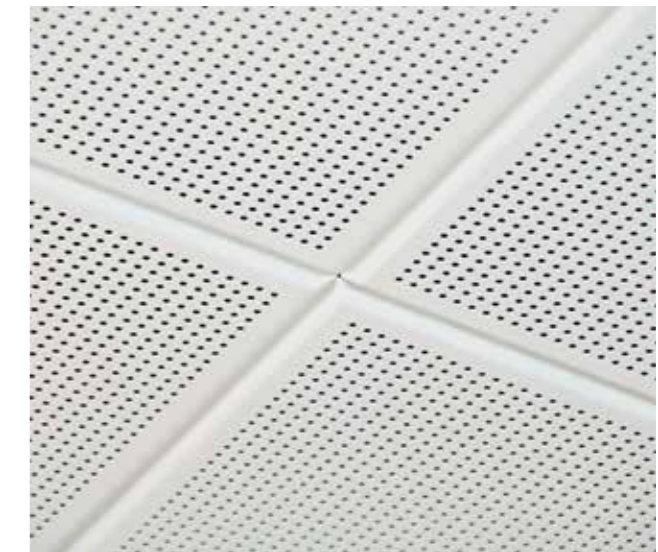
## SQUARE & RECTANGULAR TILES



### SPECIFICATION

System	Armstrong ceiling system T-Clip F, Clip-In solution with concealed grid, suspension height min. 90 mm
Tile material	Galvanised steel sheet 0.5 - 0.6 mm
Coating	RAL 9010 pure white post-coated powder painted visible surface, other RAL or NCS colours on request
Execution*	T-Clip F square or rectangular tile bevel edged 5 mm, optional T-Clip rectangular tile square edged
Gap solution	0 mm gap, without gasket
Acoustic inlay	Black non-woven acoustic fleece as standard. Other options available on request
Standard modules	T-Clip F: 500 x 500 mm 600 x 600 mm 675 x 675 mm 750 x 750 mm Additional rectangular modules available 600 x 1200 mm 300 x 1200 mm 600 x 1200 mm 300 x 1500 mm
Configurable dimensions	Panel length (A) 600 - 2500 mm Panel width (B) 300 / 400 / 500 / 600 mm

Grid system	C-channel with spring-T, U-profile with spring-T optional
Perimeter solution	Range of standards trims in steel and aluminium plus custom bulkheads available
Service integration	Standard round or rectangular cut-outs plus customized options on request



\* For further information about the edge detail execution of metal tiles, please see the Metal Edge Detail Execution datasheet.

### BENEFITS

- Concealed grid system for a monolithic ceiling surface
- Downwardly demountable with the use of an extraction tool for access to the ceiling void.

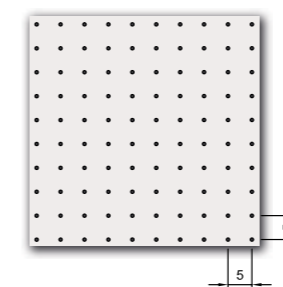
- Cost effective
- Excellent acoustic performance

### APPLICATION AREA

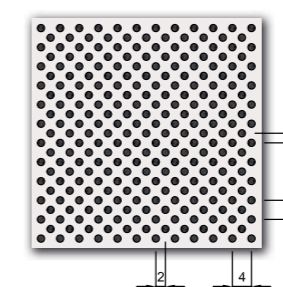
- Used in a variety of ceiling areas: from small service rooms to large commercial office buildings and major transportation terminals.

PROJECT: Learning Commons Building - Manchester University (UK) : ARCHITECT: Sheppard Robson

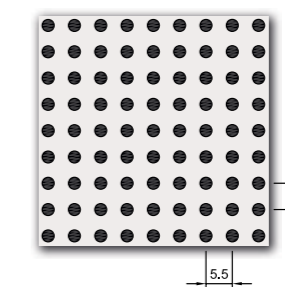
### STANDARD PERFORATION PATTERNS



**Extra Microperforation Rg 0701**  
Hole diameter: 0.7 mm  
Open area: 1.5 %



**Microperforation Rd 1522**  
Hole diameter: 1.5 mm  
Open area: 22%



**Standard Perforation Rg 2516**  
Hole diameter: 2.5 mm  
Open area: 16%

Other perforation patterns available on request.

## ACOUSTIC PERFORMANCE

Metal ceiling systems have been tested for their acoustic performance in terms of sound absorption, sound attenuation and sound reduction. These performance values will depend upon the perforation and the acoustic infill. Please contact us for more information on the available factory fitted acoustic options.

## THERMAL CONDUCTIVITY

( $\lambda$ ) W/mK  
50.0 : Steel  
0.04 : Acoustic fleece

## HUMIDITY EXPOSURE

Up to 95% RH (for short term exposure).

## SERVICES INTEGRATION

Metal panels can be supplied with factory produced cut outs and apertures for the integration of building services equipment.

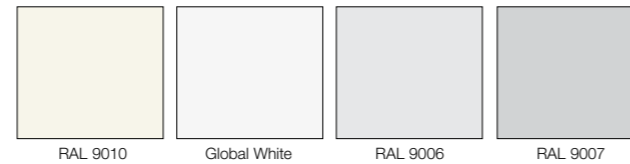
## CLEANING

Dust should be removed from the painted surface by wiping with a clean soft cloth. More stubborn marks should be removed with a mild household detergent in warm water. Excessive use of water should be avoided. The use of abrasive cleaners of the painted surface is not recommended.

## COLOUR

### Standard colours

RAL 9010	20% gloss
Global White	12% gloss
RAL 9006	30% gloss
RAL 9007	30% gloss



### Special colours

Other RAL and NCS colours available on request

## QUALITY STANDARD

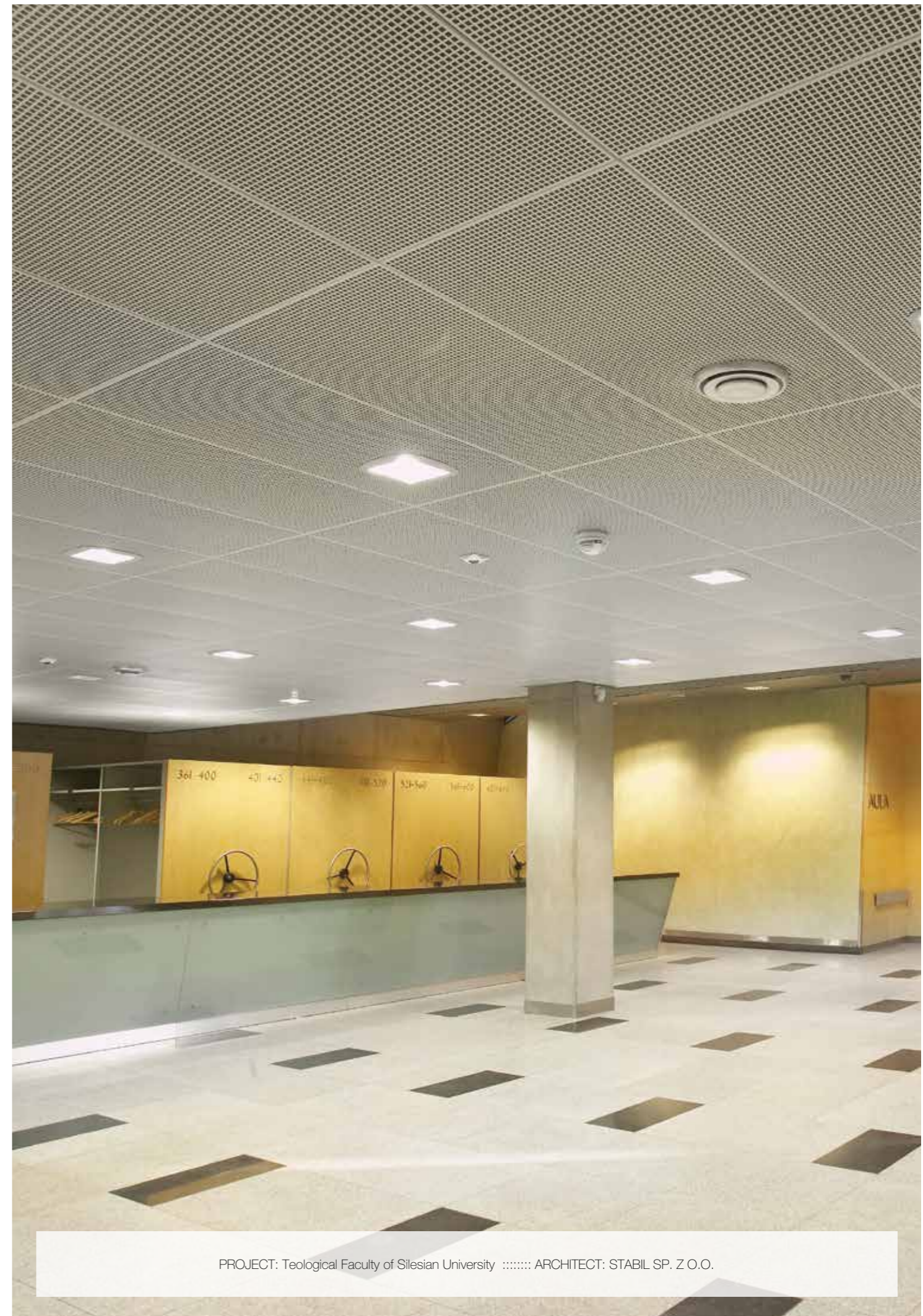
Armstrong is a certified **EN ISO 9001:2008** Quality Assured Manufacturer. All Armstrong ceiling and grid systems are manufactured to the relevant tolerances and quality standards appropriate to material. Where differences exist between this and any expressed or implied architectural specifications or requirements then Armstrong's manufacturing standards will prevail unless stated otherwise.

## ENVIRONMENTAL

Our metal panels have an average of up to 30% recycling content. Our European manufacturing plants are certified to: **ISO 14001:2004 + Cor. 1:2009**. Armstrong is a member of TAIM (Technical Association of Industrial Metal Ceilings).

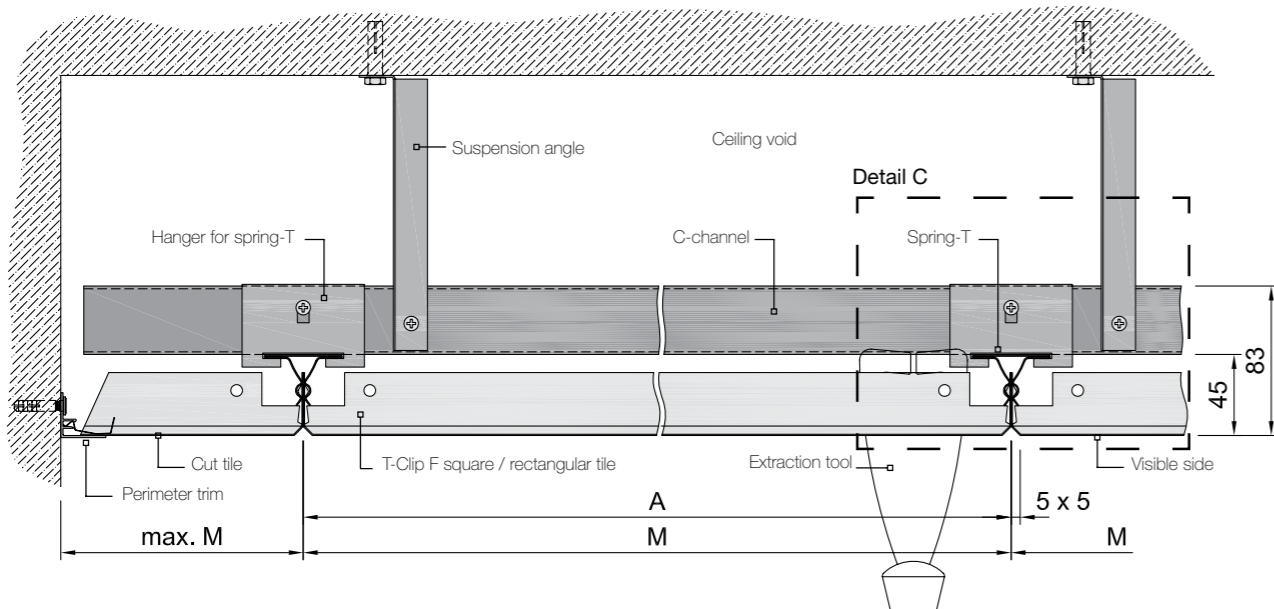
Sustainability		Acoustics						Safe & Healthy				
Recycled content (%)	Light reflectance (%)	$\alpha_w$ up to	Sound absorption class	NRC up to	Dncw / Dnfw (dB) up to	Rw (dB) up to	Fire reaction	Humidity Resistance (%) up to	Cleanability	Bioguard paint option	Scratch resistance	
up to 30	80	0.55(L)	D	0.65	21	10	A2-s2, d0	95	wipeable moist cloth (3)	✓	✓	
up to 30	65	0.70	C	0.70	16	6	A2-s2, d0	95	wipeable moist cloth (3)		✓	
up to 30	70	0.75(L)	C	0.80	18	8	A2-s2, d0	95	wipeable moist cloth (3)		✓	
up to 30	85	0.10(L)	Not Classified	0.10	44	19	A1	95	scrubbable	✓	✓	
up to 30	depends on perforation	0.65	C	0.60	41	20	A2-s1, d0	95	wipeable moist cloth		✓	
up to 30	depends on perforation	1.00	A	0.90	31	15	A2-s2, d0	95	wipeable moist cloth		✓	

(1) RAL 9010 colour, without acoustic inlay. (2) RAL 9010 colour, with black acoustic fleece glued on rear. (3) Wipeable moist cloth for perforated tiles with fleece. Scrubbable for plain tiles or perforated tiles without fleece.

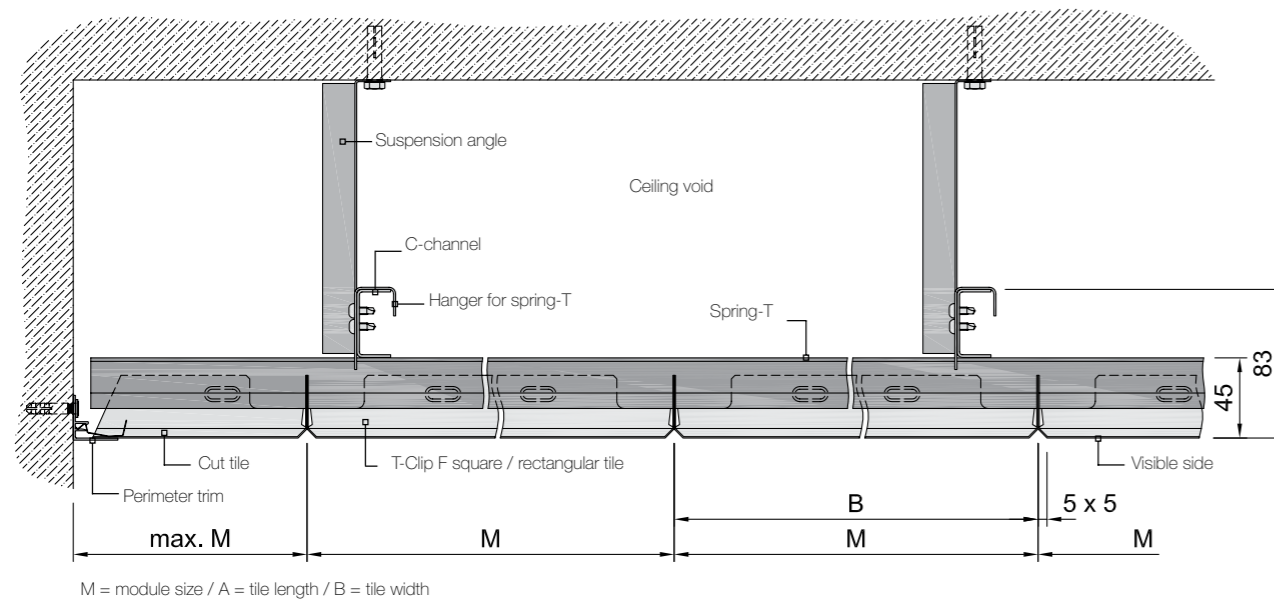


PROJECT: Theological Faculty of Silesian University : ARCHITECT: STABIL SP. Z O.O.

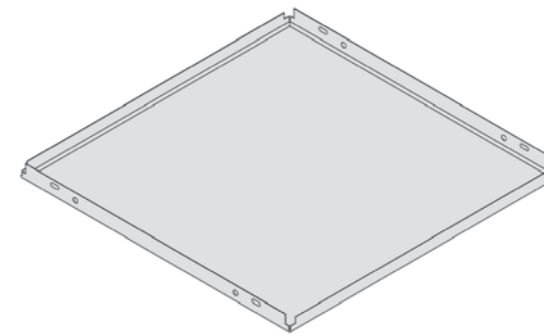
**CROSS-SECTION T-CLIP F with C-channel solution**



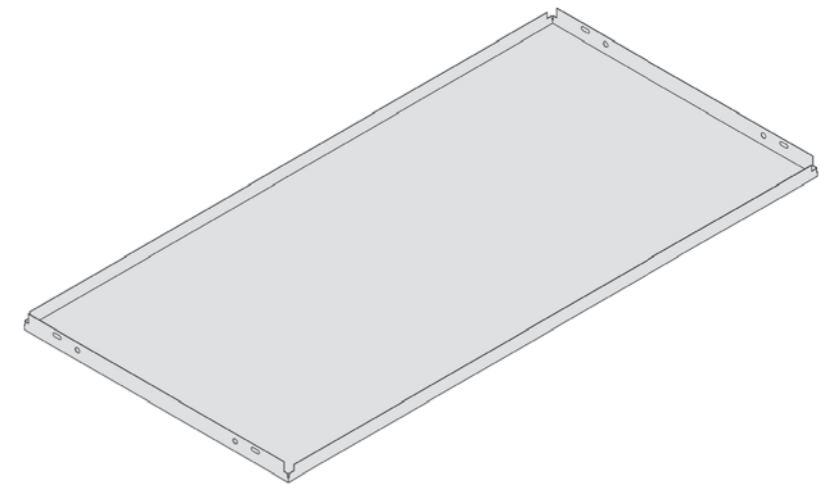
**LONGITUDINAL-SECTION T-CLIP F with C-channel solution**



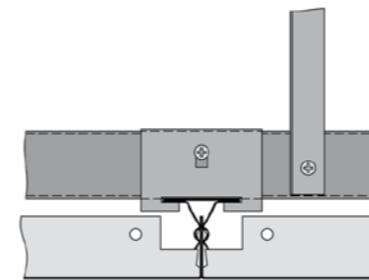
**Detail A** T-Clip F square tile



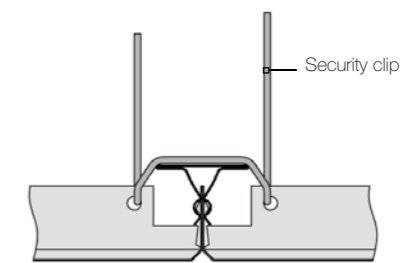
**Detail B** T-Clip rectangular tile option



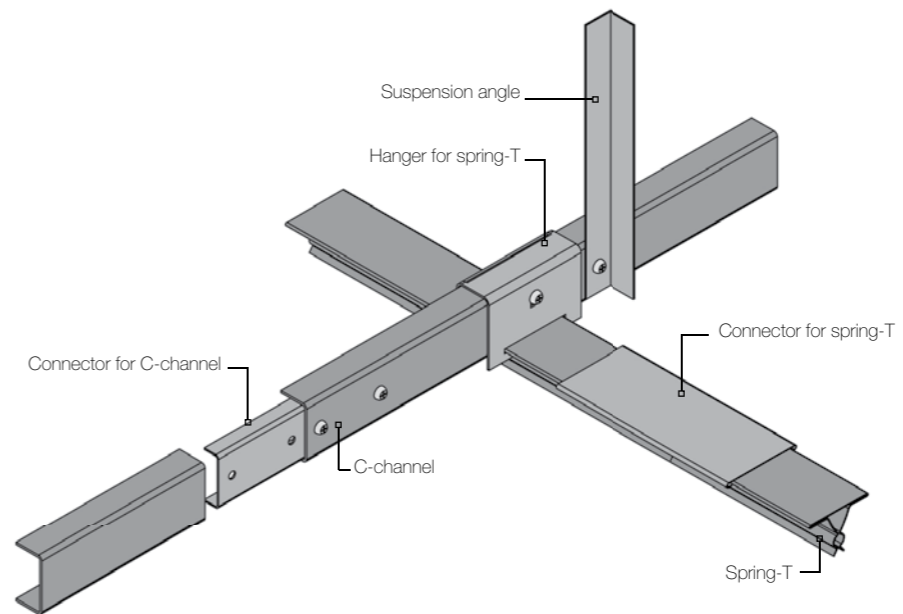
**Detail C** Square edged option T-Clip



**Detail D** Security clip option



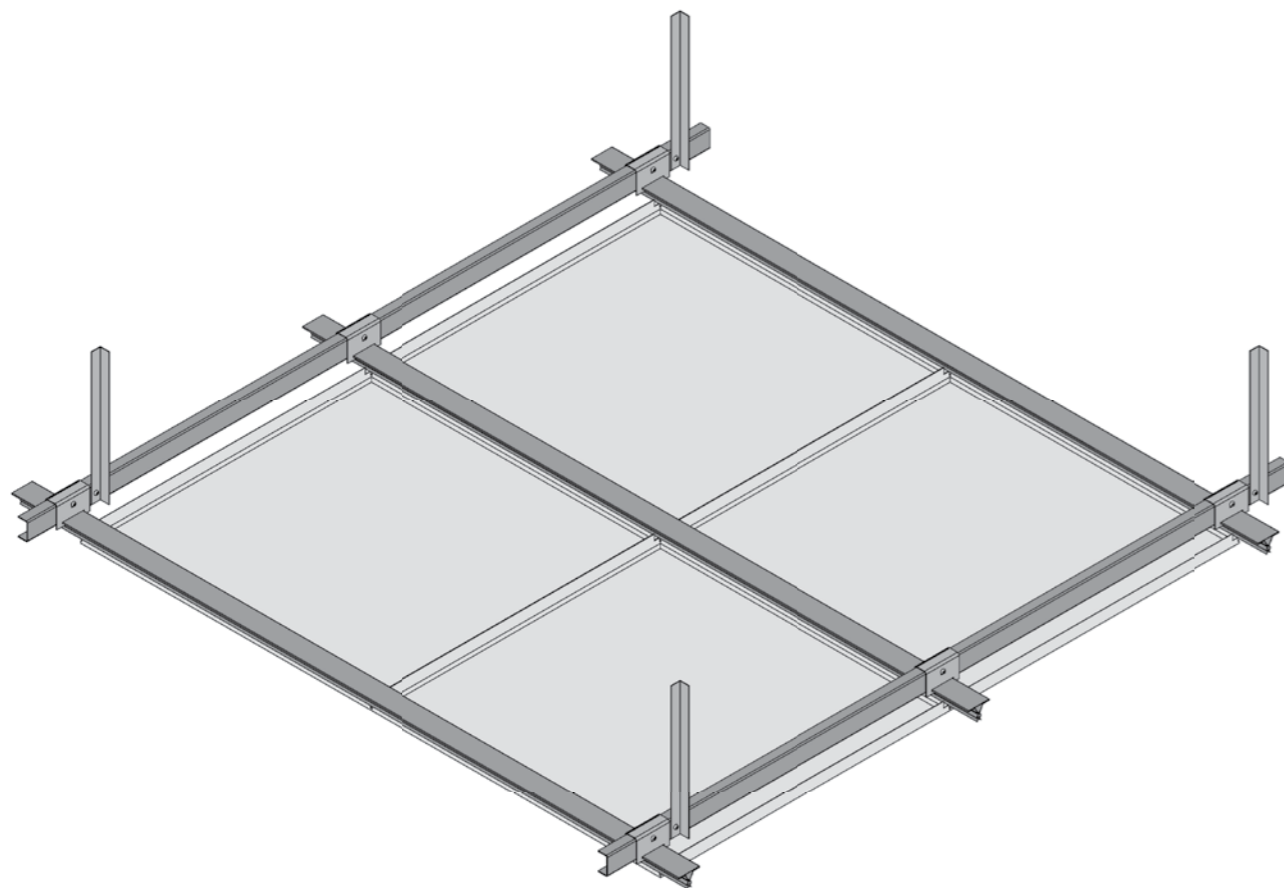
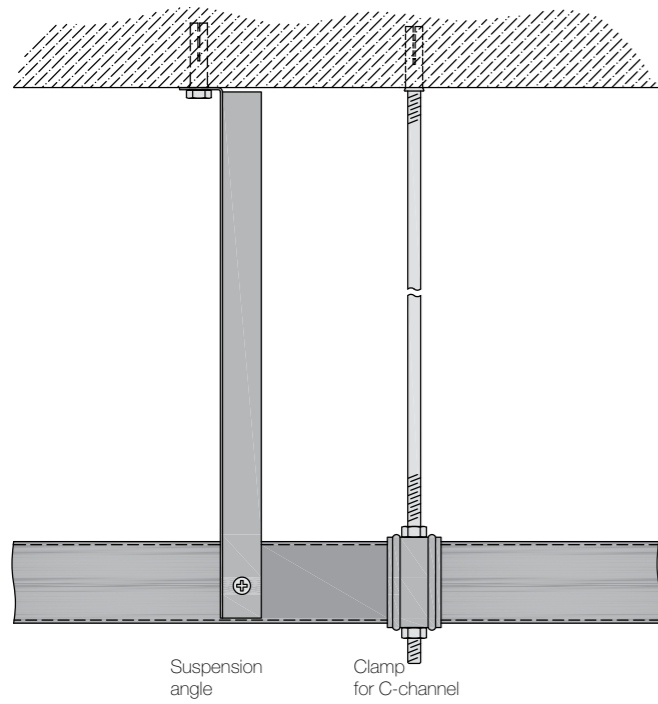
**Detail E** C-channel solution



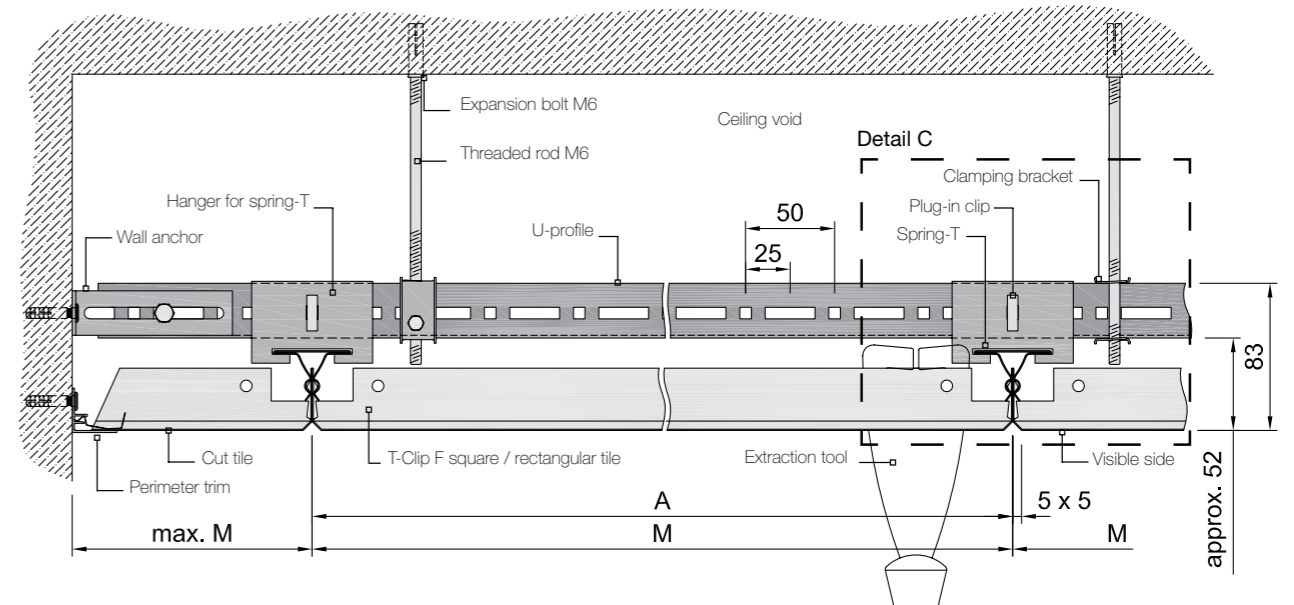
Item No.	Designation
BPM 300100	U-profile
BPM 300119	Connector for U-profile
BPM 300120	Plug-in clip
BPM 300140	Wall anchor
BPM 300121	Clamping bracket
BPM 311111	Expansion bolt M6 x 30 mm

Item No.	Designation
BPM 311099	Threaded rod M6 x 1000 mm
BPC2090A	Hanger for spring-T
BPC 1801G	Spring-T
BPC 1805H	Connector for Spring-T
BPC 1775A	Security clip
BPM 311046	Extraction tool

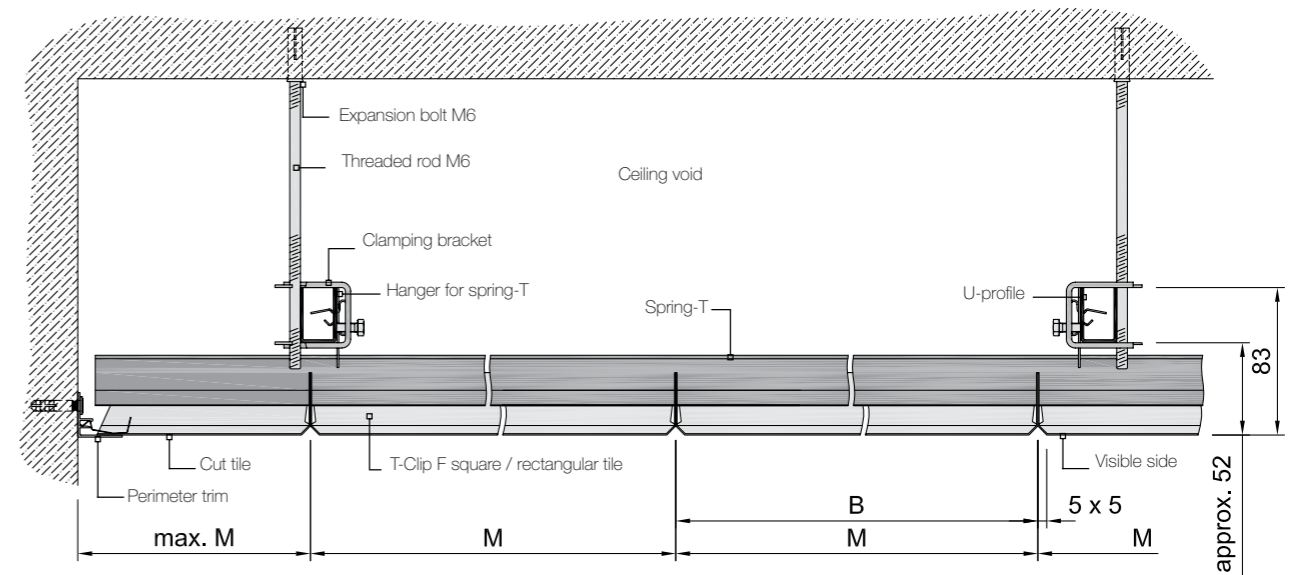
**Detail F** C-channel suspension methods



**CROSS-SECTION T-CLIP F with U-profile system**



**LONGITUDINAL-SECTION T-CLIP F with U-profile system**

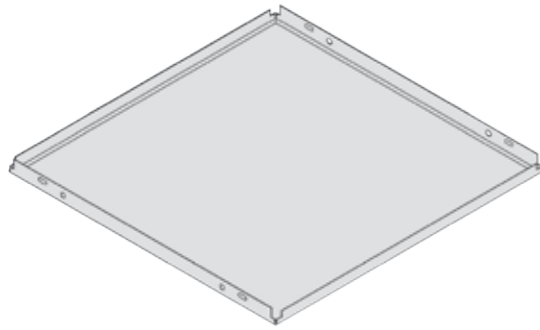


M = module size / A = tile length / B = tile width

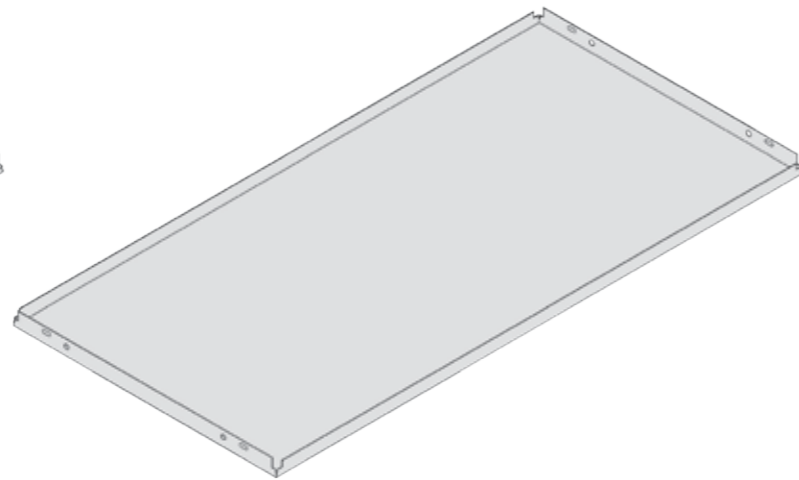
Item No.	Designation
BPM 300100	U-profile
BPM 300119	Connector for U-profile
BPM 300120	Plug-in clip
BPM 300140	Wall anchor
BPM 300121	Clamping bracket
BPM 311111	Expansion bolt M6 x 30 mm

Item No.	Designation
BPM 311099	Threaded rod M6 x 1000 mm
BPM300380	Hanger for spring-T
BPC 1801G	Spring-T
BPC 1775A	Security clip
BPM 311046	Extraction tool

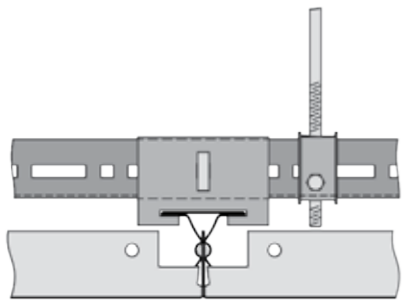
**Detail A** T-Clip F square tile



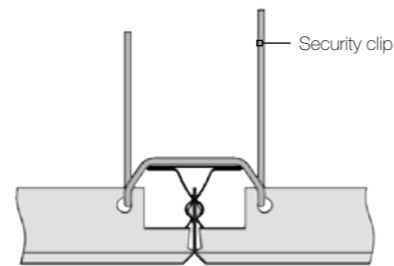
**Detail B** T-Clip rectangular tile option



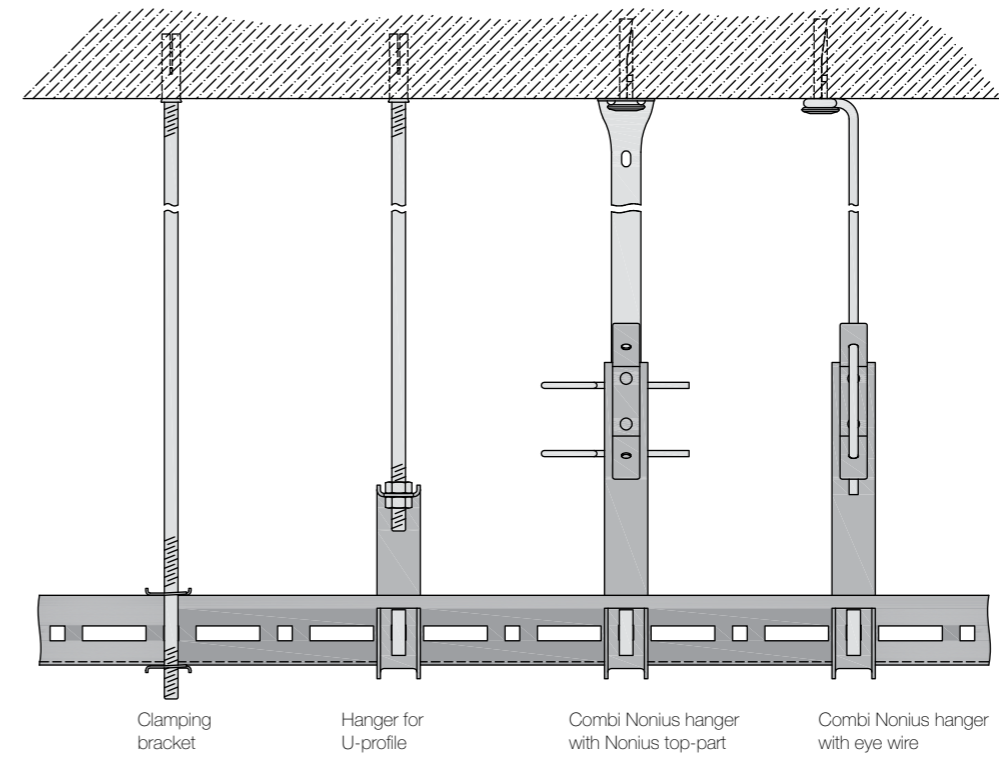
**Detail C** Square edged option T-Clip



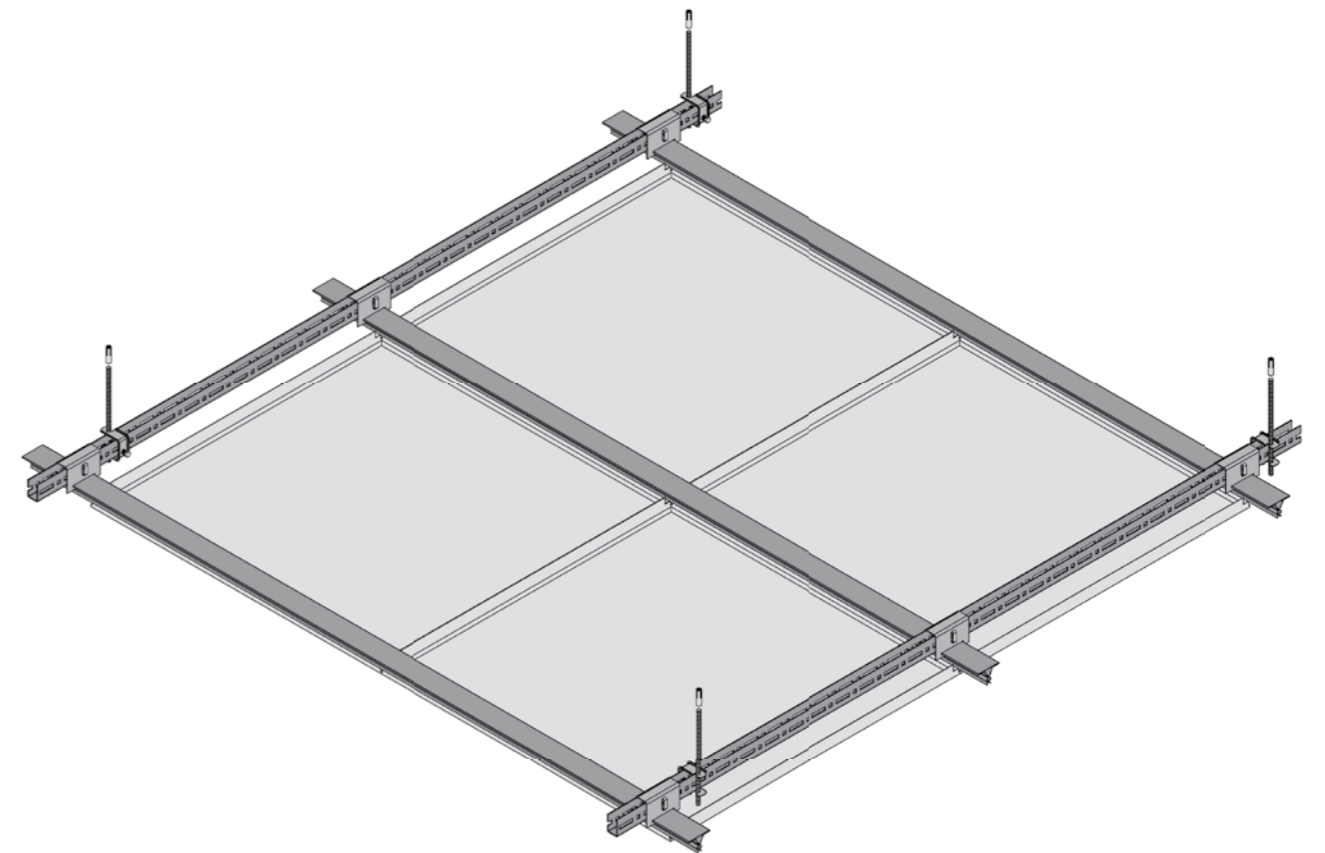
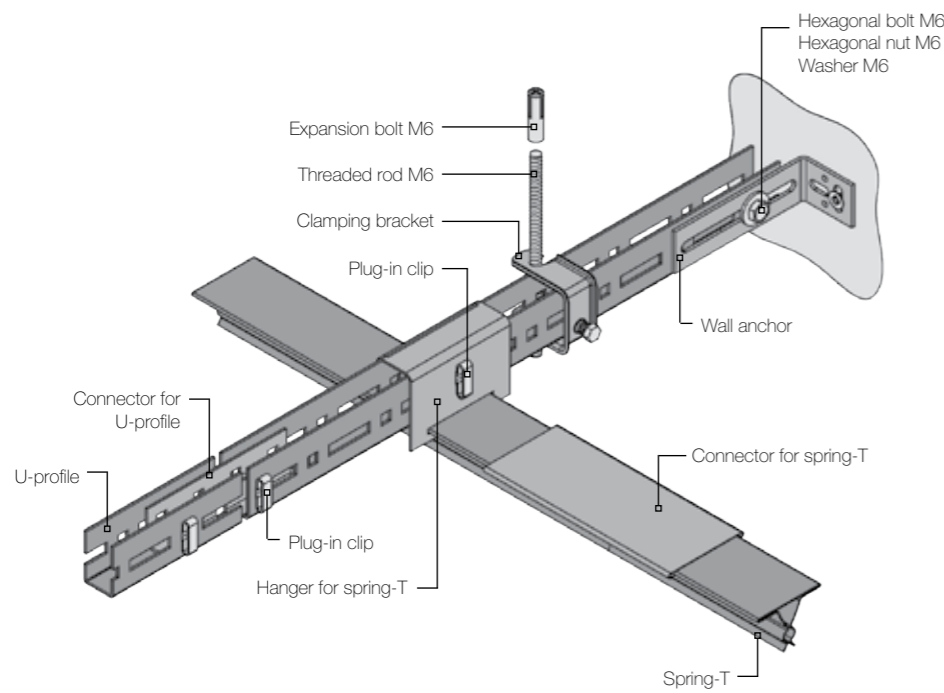
**Detail D** Security clip option



**Detail F** U-profile suspension methods



**Detail E** Grid system



## WESTERN EUROPE

### Belgium & Luxembourg

Armstrong Building Products B.V.  
Bureaux Commerciaux Belgique  
Postbus 3803  
4800 DV Breda  
Nederland  
Tel.: (+32) 02 223 00 72  
Fax: (+31) 076 521 04 07  
e-mail: benelux-info@armstrong.com  
www.armstrong-plafonds.be

### Germany & Switzerland

Armstrong Building Products  
Kundenservice  
Office Building Quadrium  
Claudius Prinsenlaan 126  
4818 CP Breda  
Niederlande  
Tel.: (+49) 0251 7603 210  
Fax: (+49) 0251 7603 593  
e-mail: deutsche-info@armstrong.com  
www.armstrong-decken.de  
www.armstrong-decken.at  
www.armstrong.ch

Armstrong Metalldecken AG  
Breitfeldstrasse 8  
9015 St. Gallen  
Switzerland  
Tel.: +41 (0) 71 313 63 63  
Fax: +41 (0) 71 313 64 00

Zentralschweiz  
Armstrong Metalldecken AG  
Büro / Lager Zentralschweiz  
Grossweid 9  
CH-6026 Rain  
Tel.: +41 (0) 41 921 63 63  
Fax: +41 (0) 41 921 63 80

Suisse Romande  
Armstrong Plafonds Métalliques SA  
Bureau Suisse Romande  
3, rue Gustave-Monynier  
CH-1202 Genève  
Tel.: +41 (0) 22 731 60 70  
Fax: +41 (0) 22 731 60 74

### Austria

Armstrong Metalldecken GmbH  
Bundesstrasse 70  
A-6830 Rankweil  
Tel.: +43 (0) 55 22 34 44-0  
Fax: +43 (0) 55 22 34 44-8

Armstrong Metalldecken GmbH  
Messendorferstrasse 6  
A-8041 Graz  
Tel.: +43 (0) 31 64 71 584  
Fax: +43 (0) 31 64 71 584-10

### Spain & Portugal

Armstrong Building Products SAS  
Immeuble Paryseine  
3, allée de la Seine  
94854 Ivry-sur-Seine Cedex  
France – Alcobendas Madrid  
Tel.: (+ 34) 91 352 53 17  
Fax: (+ 34) 91 350 20 15  
e-mail: info-espana@armstrong.com  
www.armstrong.es/techos

### France & French Speaking Africa

Armstrong Building Products SAS  
Bureaux Commerciaux France  
Immeuble Paryseine  
3 Allée de la Seine  
94854 Ivry-sur-Seine  
Tel.: 0800 41 36 43  
Fax: (+33) 1 45 21 04 11  
e-mail: info-france@armstrong.com  
www.armstrong.fr/plafonds

Siège social  
Armstrong Building Products SAS  
67 rue de Salins – CS 20089  
25302 Pontarlier Cedex  
France

### Italy & Greece

Armstrong Building Products  
Ufficio Commerciale Italia  
Immeuble Paryseine  
3 Allée de la Seine  
94854 Ivry-sur-Seine  
Francia  
Tel.: (+39) 02 66 22 76 50  
Fax: (+39) 02 66 20 14 27  
e-mail: info-italia@armstrong.com  
www.armstrong-soffitti.it  
www.armstrong.eu

### Netherlands

Armstrong Building Products B.V.  
Verkoopkantoor Nederland  
Postbus 3803  
4800 DV Breda  
Nederland  
Tel.: (+31) 076 52 30 200  
Fax: (+31) 076 521 04 07  
e-mail: benelux-info@armstrong.com  
www.armstrong.nl/plafonds

### United Kingdom

Armstrong World Industries Ltd  
Building Products Division  
Armstrong House  
38 Market Square  
Uxbridge UB8 1NG  
Tel.: 0800 371849  
Fax: (+44) 1895 274287  
e-mail: sales-support@armstrong.com  
www.armstrong-ceilings.co.uk

### Republic of Ireland

Armstrong World Industries Ltd.  
108 Greenlea Road  
Terenure  
Co Dublin 6W  
Ireland  
Tel.: 1800 409002  
Tel.: (+353) 1 499 1701  
Fax: (+353) 1 490 7061  
e-mail: sales-support@armstrong.com  
www.armstrong-ceilings.ie

## CENTRAL EUROPE NORTH

### (DK/EE/FIN/IS/LT/LV/N/PL/S)

Armstrong Building Products BV  
Sp. z o.o. Oddział w Polsce  
ul. Domaniewska 37  
02-672 Warszawa  
Poland  
Tel.: (+48) 22 337 86 10/ 86 11  
Fax: (+48) 22 337 86 12  
e-mail: service-ce@armstrong.com  
Latvia: www.armstrong.lv  
Lithuania: www.armstrong.lt  
Norway: www.armstrong.no  
Poland: www.armstrong.pl  
Sweden: www.armstrong.se

## CENTRAL EUROPE SOUTH

### (AL/BA/BG/CZ/HR/HU/KO/MD/ME/MK/RO/RS/SK/SI)

Armstrong Building Products  
Lighthouse building,  
Jankovcova 1569/2c,  
170 00 Praha 7,  
Czech Republic  
Tel.: +420 234 700 543  
e-mail: service-ce@armstrong.com  
Czech Republic: www.armstrong.cz  
Hungary: www.armstrong.co.hu  
Romania: www.armstrong.ro  
Serbia: www.armstrong.rs  
Slovakia: www.armstrong.sk  
Slovenia: www.armstrong.si

## EASTERN EUROPE

### CIS

Armstrong Moscow GmbH  
Park Place, office E502  
# 113/1, Leninsky Prospekt  
Moscow 117198  
Russia  
Tel.: (+7) 495 956 5100  
Fax: (+7) 495 956 5101  
e-mail: info-cis@armstrong.com  
Russian Federation: www.armstrong.ru

## MIDDLE EAST / AFRICA / TURKEY

### Armstrong World Industries Ltd Africa Middle East Turkey Division

Armstrong House  
38 Market Square  
Uxbridge UB8 1NG  
Tel.: (+44) 01895 202097  
Fax: (+44) 01895 272928  
e-mail: sales-support@armstrong.com  
www.armstrong.eu  
Israel: www.armstrong.co.il  
South Africa: www.armstrong-ceilings.co.za

### Dubai | United Arab Emirates

Armstrong World Industries JLT  
Office No. 2003, 20th Floor  
Gold Crest Executive Tower  
Jumeirah Lakes Towers  
P.O. Box 73831  
Dubai, U.A.E.  
info-me@armstrong.com  
www.armstrong.ae

### Turkey

Armstrong Europa GmbH  
Mimar Sinan Mah. Mimar Sinan  
35/2 Cekmekoy  
Istanbul  
Türkiye  
Gsm: +90 542 772 49 22  
Gsm: +90 544 293 5931  
www.armstrong.com.tr  
etulpar@armstrong.com